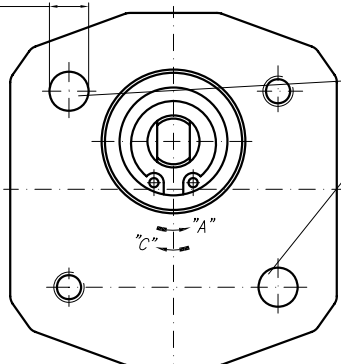


Contents

Pump type	Page	Pump type	Page	Pump type	Page
30A(C)...X002H	4	30A(C)...X247Y	30	30A(C)...X379H	56
30A(C)...X013H	5	30A(C)...X248H	31	30A(C)...X383HVU	57
30A(C)...X068H	6	30A(C)...X248Y	32	30A(C)...X401HVU	58
30A(C)...X068HU	7	30A(C)...X263H	33	30A(C)...X407H	59
30A(C)...X136H	8	30A(C)...X263WH	34	30A(C)...X415H	60
30A(C)...X136Y	9	30A(C)...X274H	35	30A(C)...X454H	61
30A(C)...X146H	10	30A(C)...X276H	36	30A(C)...X455H	62
30A(C)...X160H	11	30A(C)...X277H	37	30A(C)...X456HVU	63
30A(C)...X160WH	12	30A(C)...X277Y	38	30A(C)...X456HWU	64
30A(C)...X162H	13	30A(C)...X300H	39	40A(C)...X471H	65
30A(C)...X163H	14	30A(C)...X309H	40	40A(C)...X473H	66
30A(C)...X166H	15	30A(C)...X323H	41	30A(C)...X505H	67
30A(C)...X169H	16	30A(C)...X324H	42	30A(C)...X547H	68
30A(C)...X189H	17	30A(C)...X325H	43	30A(C)...X549H	69
30A(C)...X190H	18	30A(C)...X337H	44	30A(C)...X569H	70
30A(C)...X197H	19	30A(C)...X338H	45	30A(C)...X584H	71
30A(C)...X198H	20	30A(C)...X339H	46	30A(C)...X610HV	72
30A(C)...X236H	21	30A(C)...X344H	47	30A(C)...X611H	73
30A(C)...X237H	22	30A(C)...X345H	48	30A(C)...X613H	74
30A(C)...X239H	23	30A(C)...X353H	49	30A(C)...X615H	75
30A(C)...X240H	24	30A(C)...X356H	50	30A(C)...X616H	76
30A(C)...X241H	25	40A(C)...X371H	51	30A(C)...X617H	77
30A(C)...X242H	26	40A(C)...X372H	52	30A(C)...X623H	78
30A(C)...X245H	27	40A(C)...X373H	53	30A(C)...X624H	79
30A(C)...X245HS	28	40A(C)...X374H	54	30A(C)...X675H	80
30A(C)...X247H	29	30A(C)...X376H	55		

2x ϕ 5.5 Gr. 00



To mount the pump use two screws
M5xL/10.9 (8.8 black)

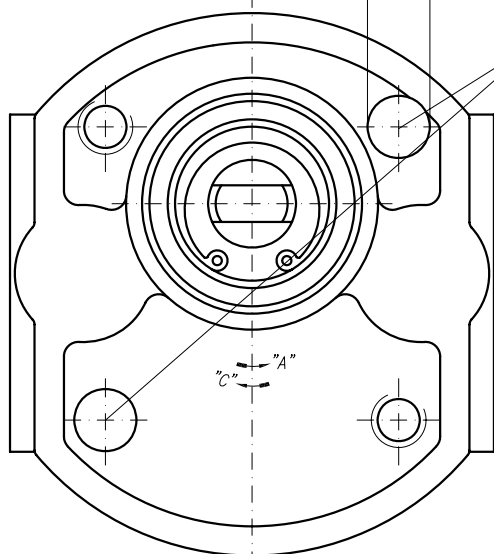
Torque 5^{+1} Nm

For Pumps at types:

X033	X034	X044	X047	X048W
X051	X052	X063	X065	

And etc.

Gr. 10 2x ϕ 8,5



To mount the pump use two screws
M8xL/10.9 (8.8 black)

Torque 25^{+5} Nm

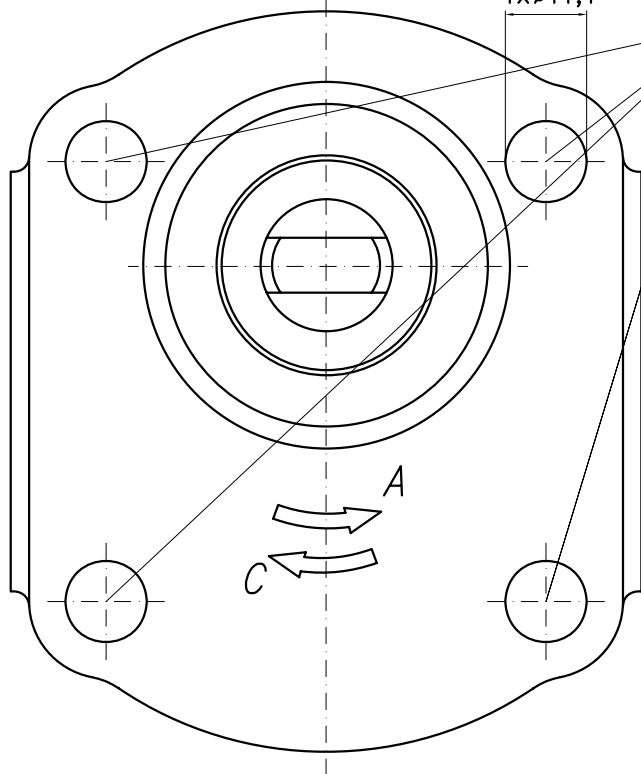
For Pumps at types:

X001	X027	X054	X131	X135
X142	X175	X179	X182	X230
X231	X238	X244	X254	X255
X278	X302	X303	X330	X340
X343	X348	X375	X394	X400
X417	X442	X445	X465	X475
X479	X485	X488	X489	X531
X551	X552	X571	X574	X575
X579	X594	X649	X682	X686

And etc.

Gr. 20

4x ϕ 11,1



To mount the pump use four screws
M10xL/10.9

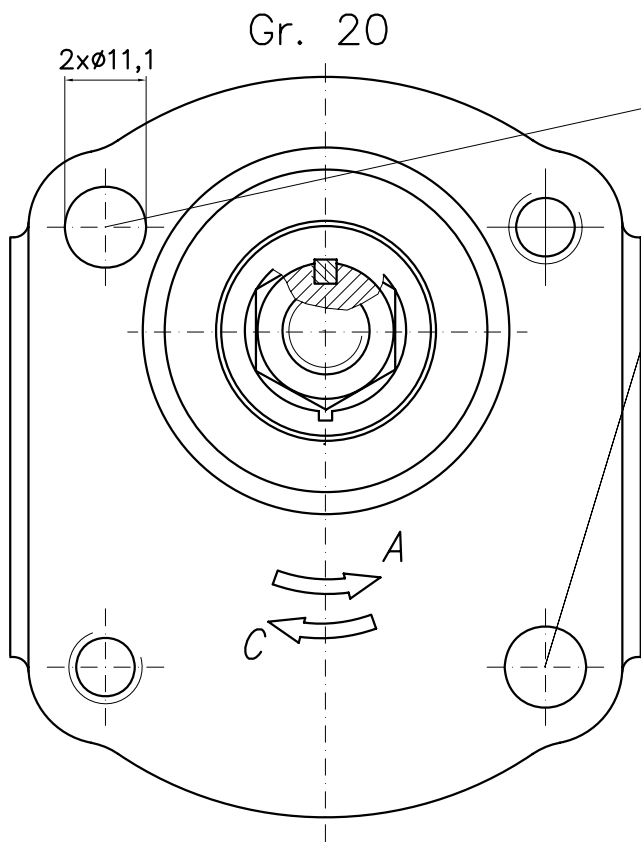
Torque 45^{+5} Nm

For Pumps at types:

X066	X072	X077	X097	X110
X156	X161	X173	X178	X185
X305	X381	X451	X495	X536
X538	X597	X602	X622	X665

And etc.

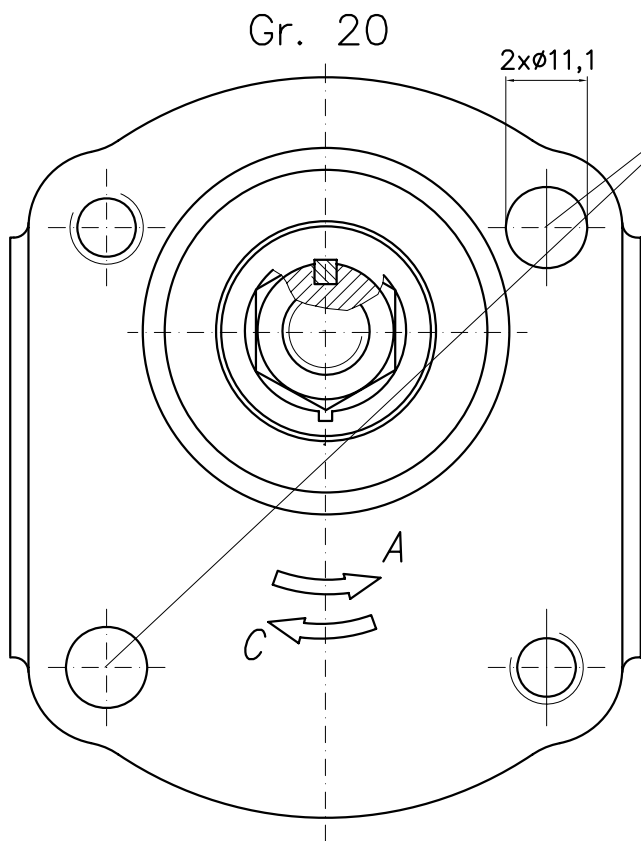
To mount the pump use two screws
 M10xL/10.9
 Torque 45^{+5} Nm



For Pumps at types:				
X007	X074	X083	X087	X091
X095	X096	X127	X128	X132
X147	X153	X170	X178	X187
X205	X295	X449SBA	X540WMS	X567
X573	X847	X857	X867	X877

And etc.

To mount the pump use two screws
 M10xL/10.9
 Torque 45^{+5} Nm



For Pumps at types:				
X008	X296	X368	X402	X403
X496	X528	X583	X586	X588
X652-12SBAW		X653-A1A40W		X776
X803	X843	X848	X868	X878

And etc.

General description

The gear pumps are designed for transforming the mechanical energy as energy of the working liquid (pressure and flow rate). They are simplified in construction and they have a relatively low cost. All these benefits ensure their wide application in the hydraulic systems.

Drive arrangements

The pump drive may be direct or indirect (by gear, chains, or belt transmissions). Both drives should not impose axial or radial forces on the pump shaft. Oldham coupling serrated drive adapters are used with direct drive. For indirect drive refer to the manufacturer.

The gear pumps are designed to work at the conditions mentioned below:

- Working liquid:	hydraulic oils with viscosity 16 ... 200 mm ² /s;
- Degree of filtration:	15 ... 25 μm;
- Ambient temperature range:	- 22 ... 55 °C;
- Fluid temperature range:	- 25 ... 80 °C;
- Inlet pressure, absolute:	0.8 ... 2.2 bar;
- Fluid velocity (suction line)	0,5 ... 1 m/s
- Outlet pressure	up to 250 bar.

The gear pumps made by "Caproni" are produced in 5 different groups: 00, 10, 20 and 20H, 30 and 40. The displacements of the pumps are in the range from 0.25 to 60 cm³.

Group 00	q = 0.25 ... 2 cm ³ ;
Group 10	q = 1 ... 9.8 cm ³ ;
Group 20	q = 4.5 ... 25 cm ³ ;
Group 20H	q = 15 ... 36 cm ³ ;
Group 30	q = 20 ... 60 cm ³ ;
Group 40	q = 46 ... 60 cm ³ .

There are different variants of flanges, shafts and ports for each pump group (standard; Germany; USA ...).

We offer the next variants too:

- tandem pumps;
- pumps with build-in valves;
- reversible pumps;
- reversible gear motors.

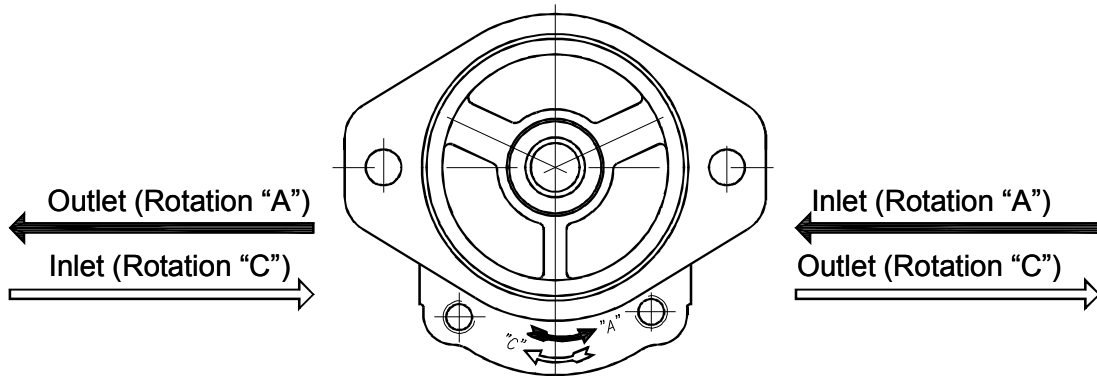
Used symbols:

n - speed of rotation	[min ⁻¹];
p - pressure	[bar];
q - displacement	[cm ³];
η - total efficiency $\eta = \eta_q \cdot \eta_{hm}$	[-];
η _{hm} - hydromechanical efficiency	[-];
η _q - volumetric efficiency	[-].

Commonly used formulas:

Flow:	$Q = \frac{q \cdot n \cdot \eta}{1000}$	[l/min]
Torque:	$M \cong \frac{q \cdot p}{20 \cdot \pi}$	[N.m]
Drive power:	$P = \frac{Q \cdot p}{600}$	[kW]

A relationship between the direction of rotation and the place of the inlet and outlet ports of the pumps



How to order:

Group	Rotation	Displacement code	Drive shaft	Pump code	Ports
00 10 20 30 40	A ↻ C ↻ R ↻		X - Through the front cover Y - Through the both covers	***(*)	- A flange with metric threads P4- A flange with UNC threads M - Metric G - GAS U - SAE J475

Group 00	
Code	cm ³
0,25	0,25
0,3	0,3
0,5	0,5
0,75	0,75
1	1
1,25	1,25
1,5	1,5
1,75	1,75
2	2

Group 10	
Code	cm ³
1	1
1,25	1,25
1,6	1,6
2	2
2,5	2,5
2,65*	2,65
3,15	3,15
3,65	3,65
4,2	4,2
4,7*	4,7
5	5
5,7	5,7
6,1	6,1
7,4	7,4
8*	8
8,5	8,5
9,8	9,8

Group 20	
Code	cm ³
4,5	4,5
6,3	6,3
7*	7
8,2	8,2
10	10
11	11,3
12	12
14	14
15	15
16	16
17*	17,3
19	19
22	22
25	25
28	28
32	32
36	36

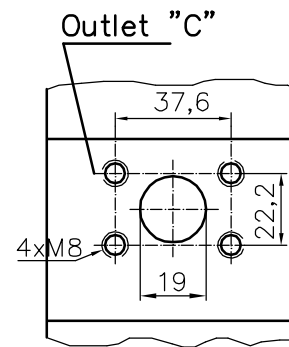
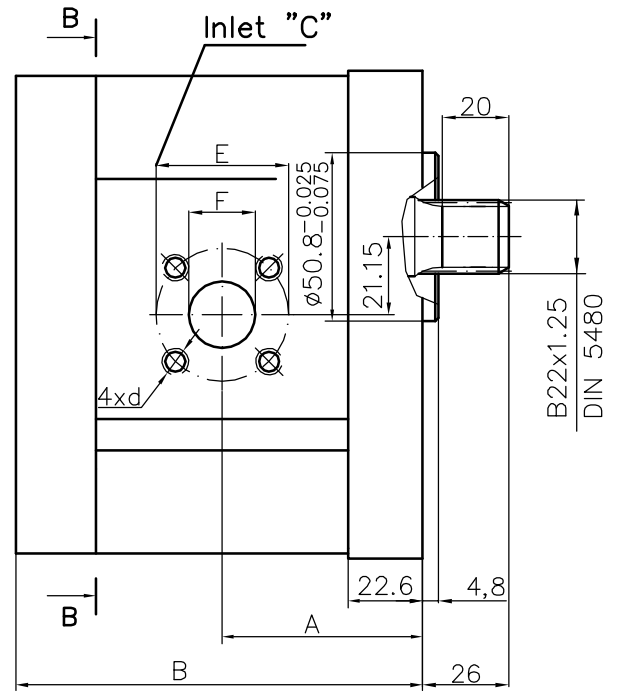
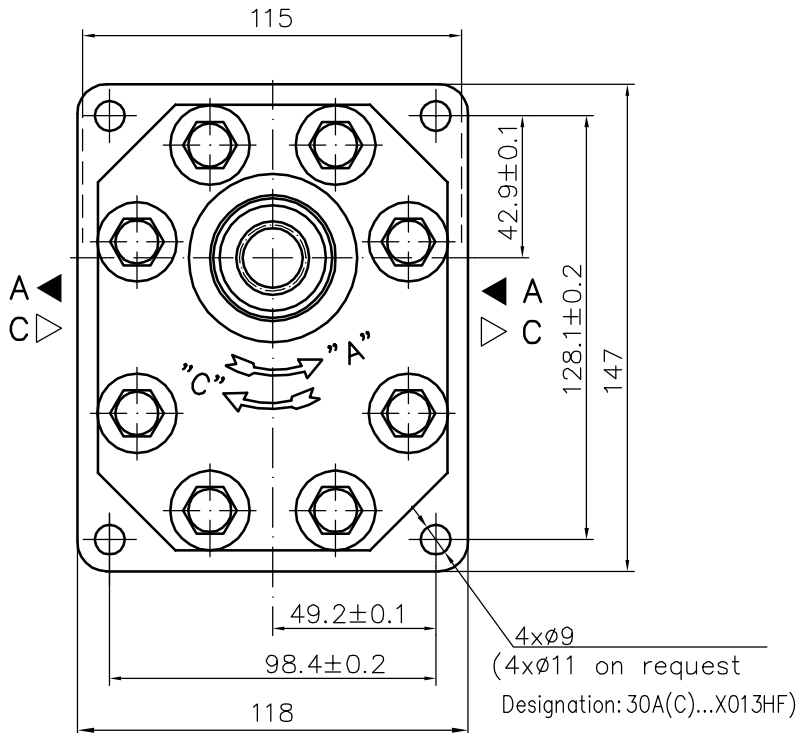
Group 20H	
Code	cm ³
15	15
16	16
19	19
22	22
25	25
28	28
32	32
36	36

Group 30	
Code	cm ³
20	20
22,5	22,5
25	25
28	28
32	32
36	36
42	42
46	46
50	50
55	55
60	60

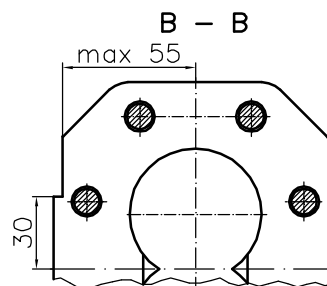
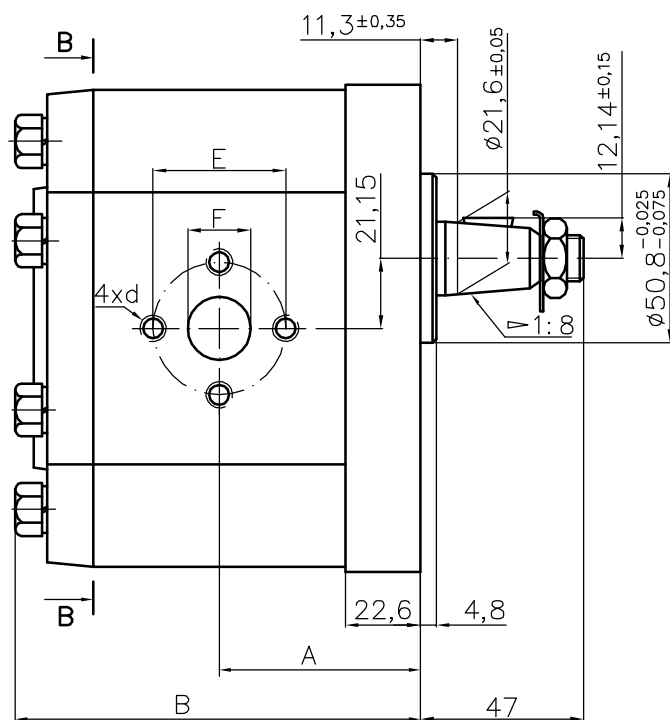
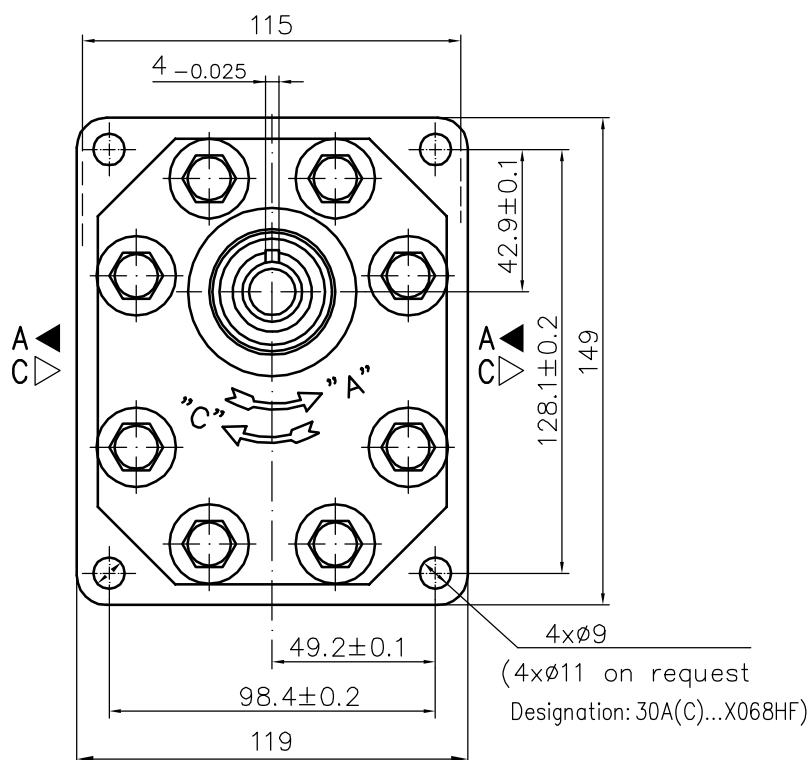
Group 40	
Code	cm ³
36	36
42	42
46	46
50	50
55	55
60	60

Example: 30A32X146 - Hydraulic gear pump, 30 group, direction of rotation - counter clockwise, displacement 32 cm³, modification 146.

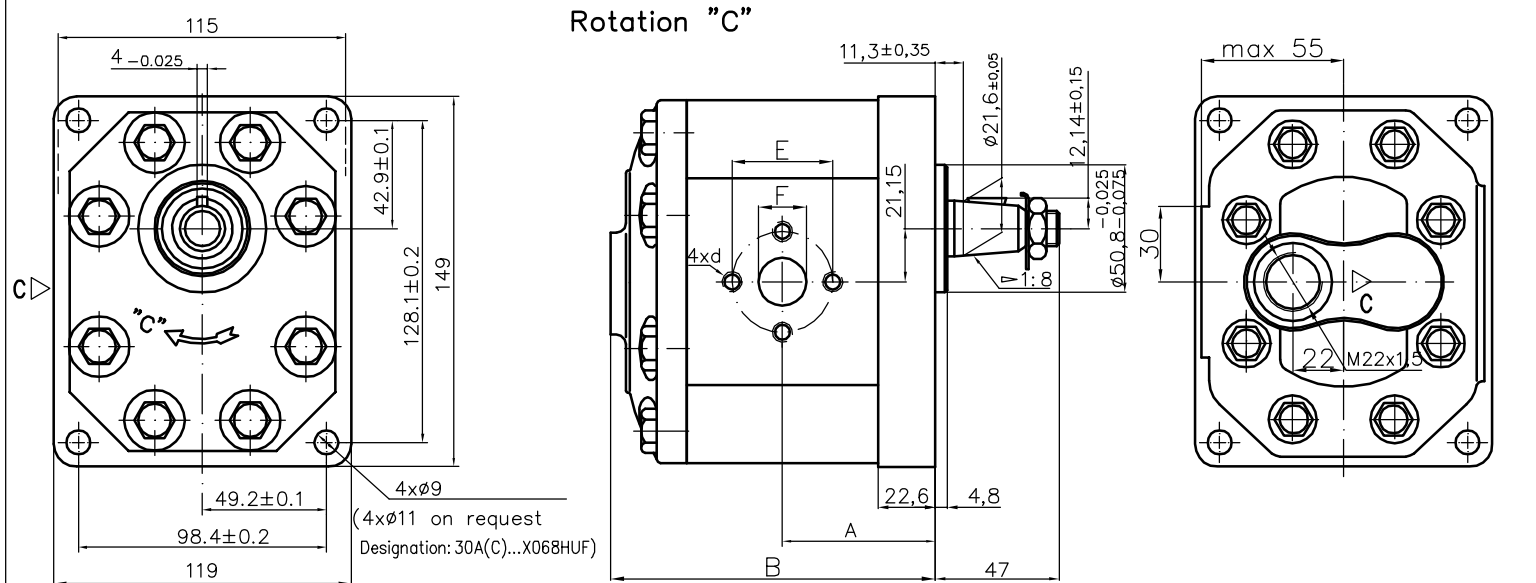
* - These pumps - only under a special order



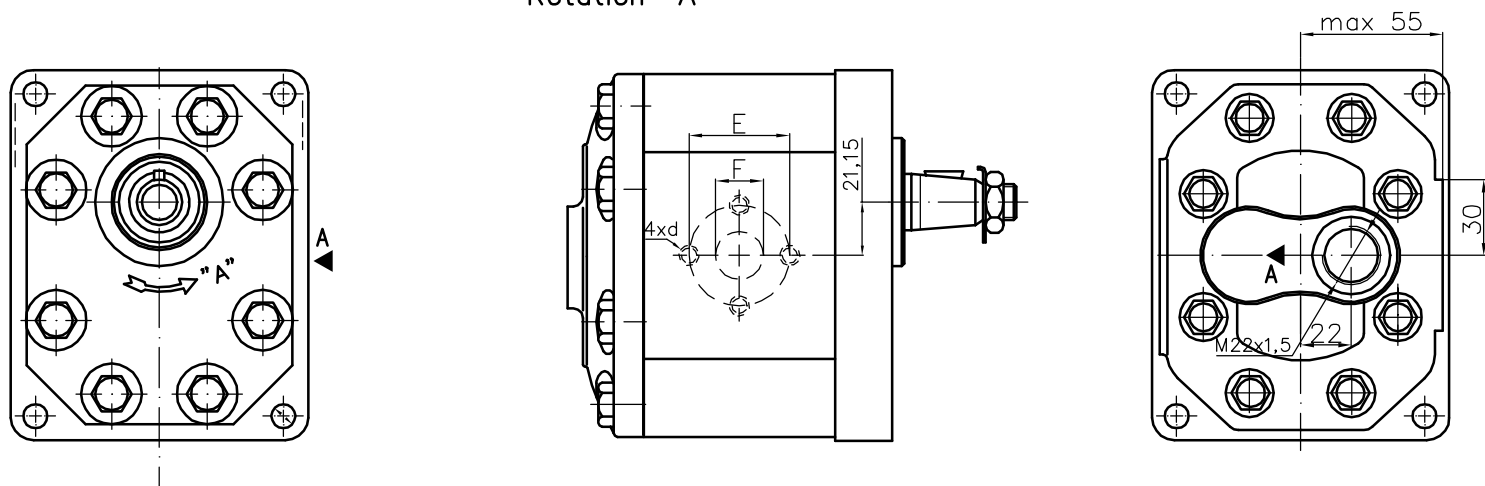
Type	Displacement cm ³ /rev	Flow		Pressure P _{nom} bar	max Speed n rpm	Dimension											
		at 1500 rpm l/min	at max rpm l/min			A mm	B mm	Inlet				Outlet					
								E	d	F1		F2	d	H2	L2		
30A(C)20X013H	20	28,2	56,4	250	3000	56,1	116,7	40	M8	19							
30A(C)22,2X013H	22,5	31,7	63,5	250	3000	57,6	119,7										
30A(C)25X013H	25	35,3	70,5	250	3000	58,3	121,1										
30A(C)28X013H	28	39,5	79,0	250	3000	60,2	124,7										
30A(C)32X013	32	45,1	75,2	250	2500	62,0	128,3										
30A(C)32X013H	32	45,1	90,2	250	3000	66,5	137,3										
30A(C)36X013	36	50,8	84,6	250	2500	63,5	131,4	51	M10	27							
30A(C)36X013H	36	51,3	95,8	250	2800	68,0	140,5							19	M8	37,6	22,2
30A(C)42X013	42	59,9	91,8	230	2300	66,3	137,0										
30A(C)42X013H	42	59,9	99,8	230	2500	70,8	146,1										
30A(C)46X013H	46	65,6	100,5	230	2300	72,7	149,8										
30A(C)50X013H	50	71,3	99,8	200	2100	74,5	153,4										
30A(C)55X013H	55	78,4	91,4	200	1750	76,7	157,9										
30A(C)60X013H	60	85,5	99,8	180	1750	78,7	162,4										



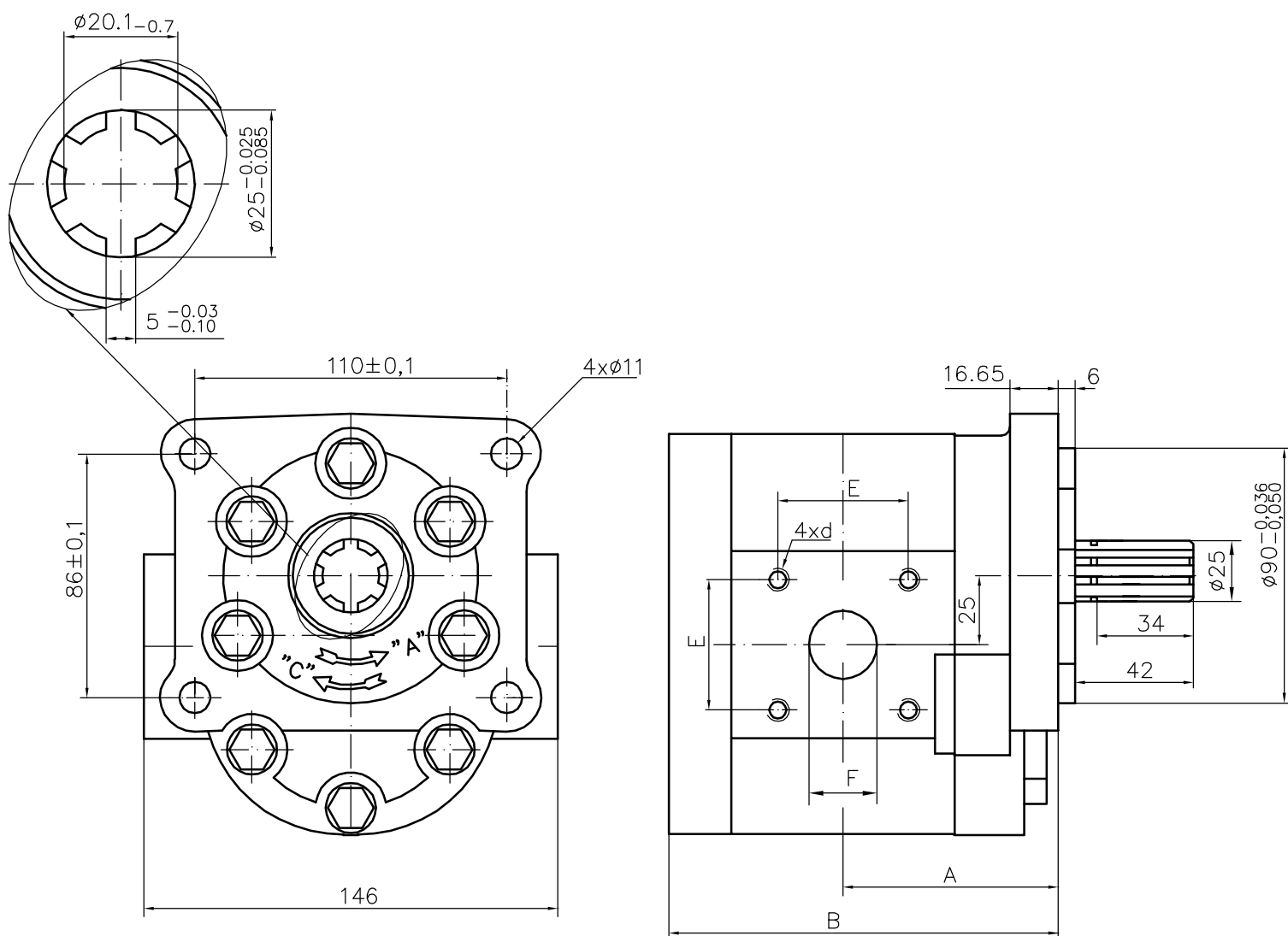
Type	Displacement cm ³ /rev	Flow		Pressure P _{nom} bar	max Speed n rpm	Dimension							
		at 1500 rpm l/min	at max rpm l/min			A mm	B mm	Inlet			Outlet		
								E	d	F	E	d	F
30A(C)20X068H	20	28,2	56,4	250	3000	56,1	116,7	∅40	M8	∅19			
30A(C)22,2X068H	22,5	31,7	63,5	250	3000	57,6	119,7						
30A(C)25X068H	25	35,3	70,5	250	3000	58,3	121,1						
30A(C)28X068H	28	39,5	79,0	250	3000	60,2	124,7						
30A(C)32X068	32	45,1	75,2	250	2500	62,0	128,3						
30A(C)32X068H	32	45,1	90,2	250	3000	66,5	137,3	∅51	M10	∅27			
30A(C)36X068	36	50,8	84,6	250	2500	63,5	131,4						
30A(C)36X068H	36	51,3	95,8	250	2800	68,0	140,5						
30A(C)42X068	42	59,9	91,8	230	2300	66,3	137,0						
30A(C)42X068H	42	59,9	99,8	230	2500	70,8	146,1						
30A(C)46X068H	46	65,6	100,5	230	2300	72,7	149,8						
30A(C)50X068H	50	71,3	99,8	200	2100	74,5	153,4						
30A(C)55X068H	55	78,4	91,4	200	1750	76,7	157,9						
30A(C)60X068H	60	85,5	99,8	180	1750	78,7	162,4						



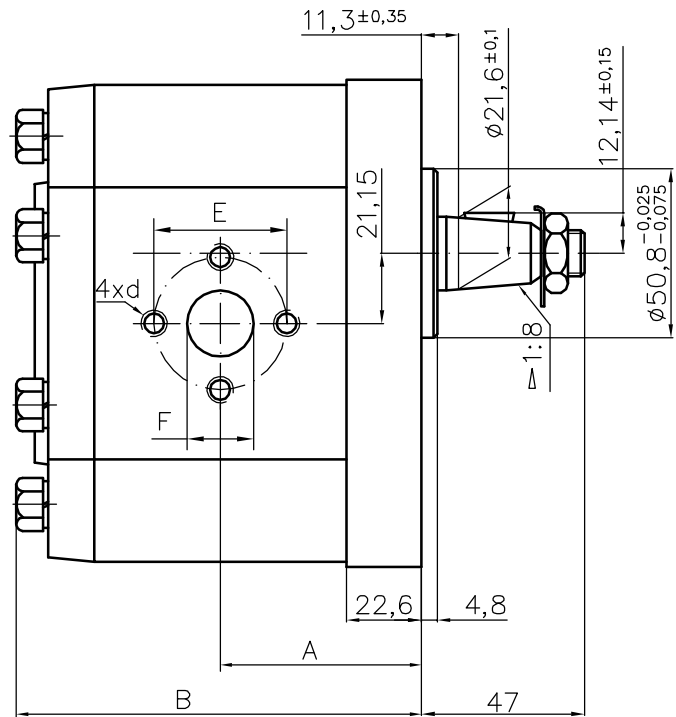
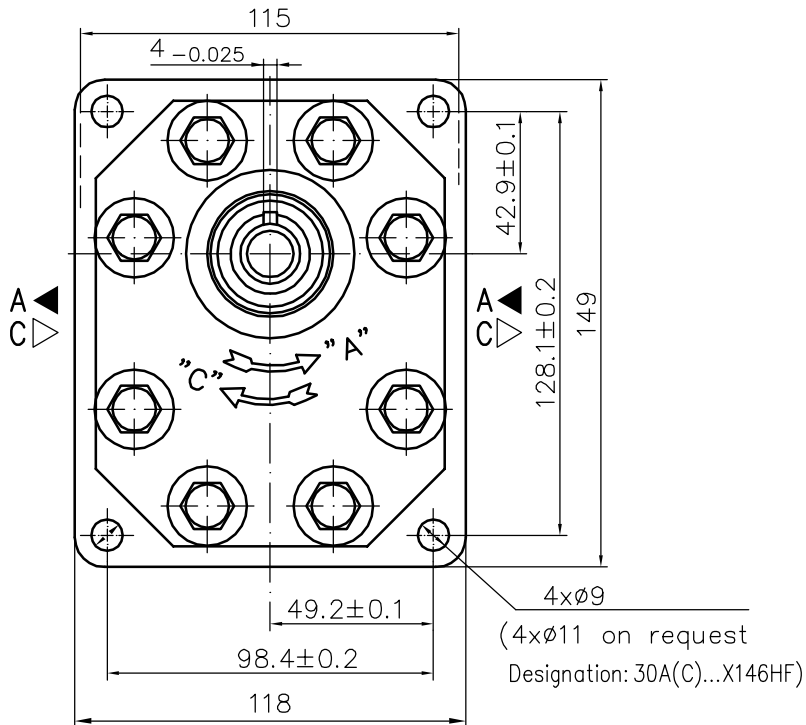
Rotation "A"



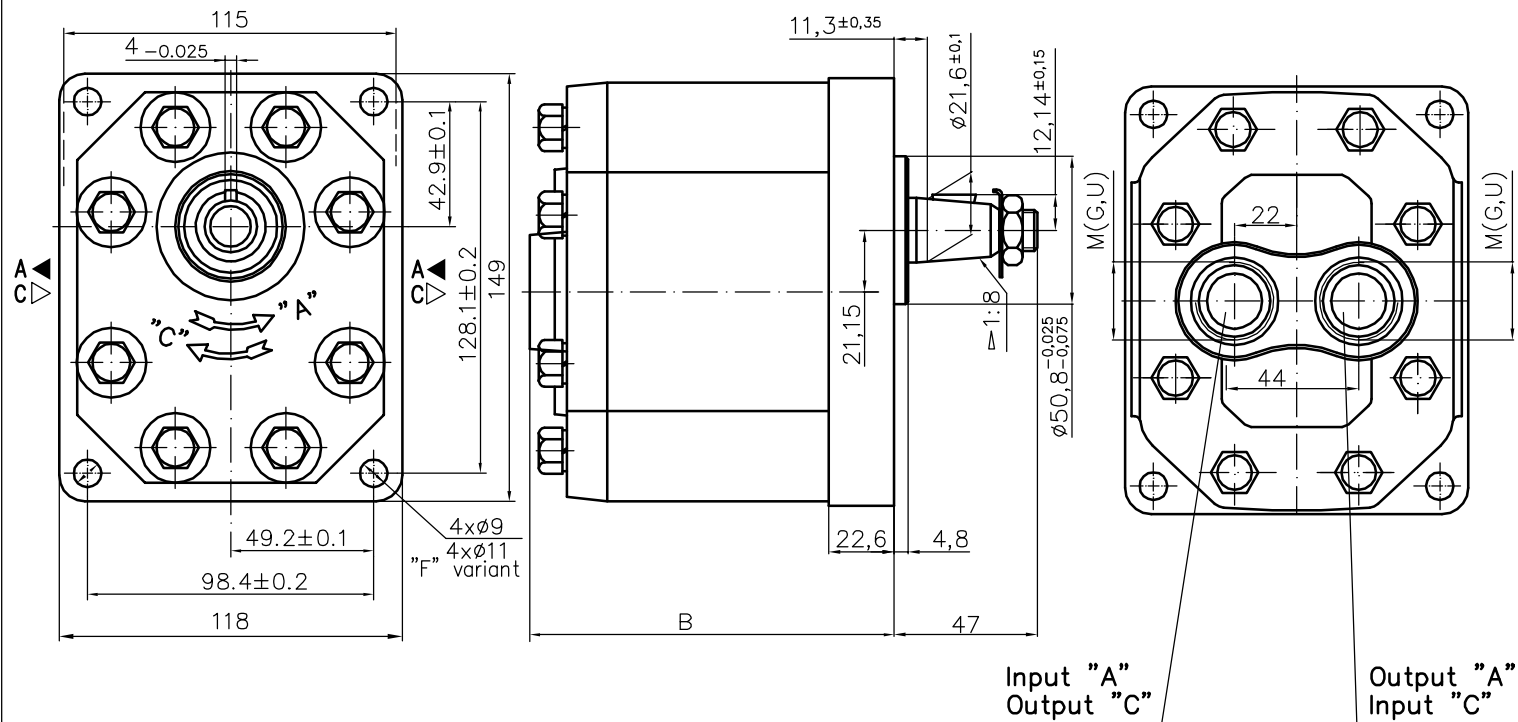
Type	Displacement cm ³ /rev	Flow		Pressure P _{nom} bar	max Speed n rpm	Dimension								
		at 1500 rpm l/min	at max rpm l/min			Inlet			Outlet					
						A mm	B mm	E	d	F	E	d	F	
30A(C)20X068HU	20	28,2	56,4	250	3000	56,1	118,7	ø40	M8	ø19	ø40	M8	ø19	
30A(C)22,2X068HU	22,5	31,7	63,5	250	3000	57,6	121,7							
30A(C)25X068HU	25	35,3	70,5	250	3000	58,3	123,1							
30A(C)28X068HU	28	39,5	79,0	250	3000	60,2	126,7							
30A(C)32X068U	32	45,1	75,2	250	2500	62,0	130,3							
30A(C)32X068HU	32	45,1	90,2	250	3000	66,5	139,3	ø51	M10	ø27	ø40	M8	ø19	
30A(C)36X068U	36	50,8	84,6	250	2500	63,5	133,4							
30A(C)36X068HU	36	51,3	95,8	250	2800	68,0	142,5							
30A(C)42X068U	42	59,9	91,8	230	2300	66,3	139,0							
30A(C)42X068HU	42	59,9	99,8	230	2500	70,8	148,1							
30A(C)46X068HU	46	65,6	100,5	230	2300	72,7	151,8	ø51	M10	ø27	ø40	M8	ø19	
30A(C)50X068HU	50	71,3	99,8	200	2100	74,5	155,4							
30A(C)55X068HU	55	78,4	91,4	200	1750	76,7	159,9							
30A(C)60X068HU	60	85,5	99,8	180	1750	78,7	164,4							



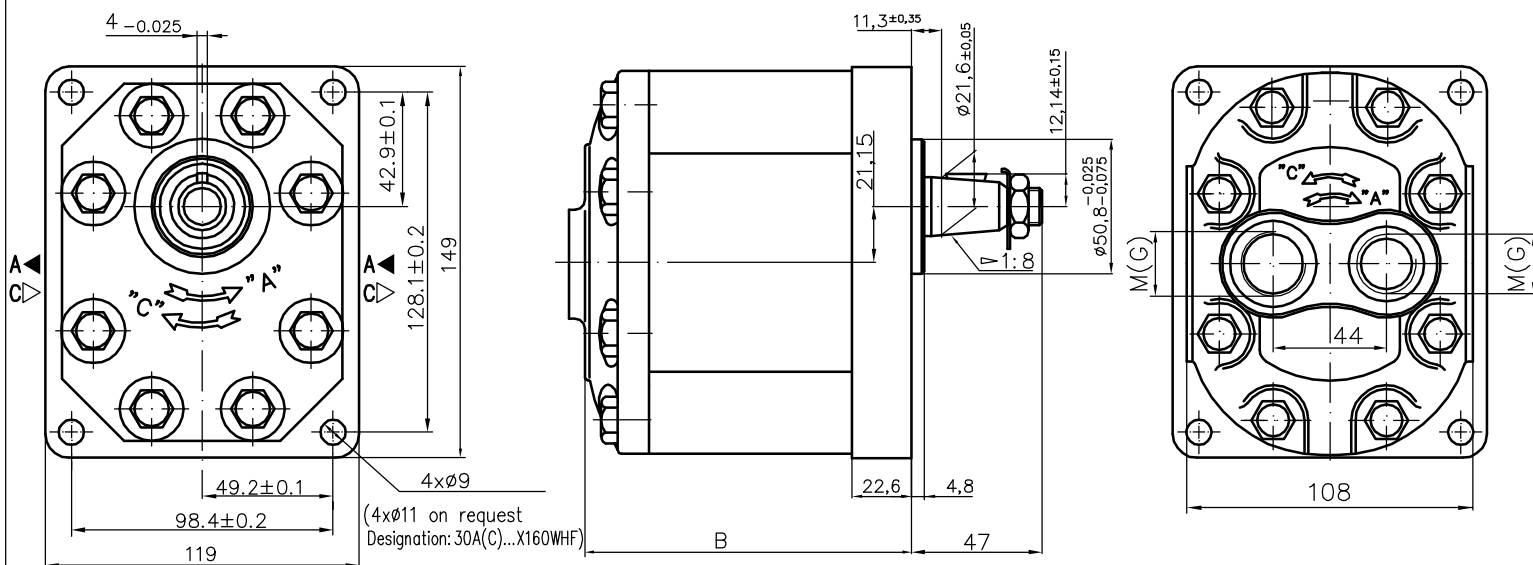
Type	Displacement cm ³ /rev	Flow		Pressure P _{nom} bar	max Speed n rpm	Dimension							
		at 1500 rpm l/min	at max rpm l/min			Inlet		Outlet					
						A mm	B mm	E mm	d mm	F mm	E mm	d mm	F mm
30A(C)25X136	24,5	34,5	69,1	200	3000	72,5	130,1	46	M8	20	46	M8	20
30A(C)32X136	32	45,1	75,2	200	2500	76,0	137,4	46	M8	22	46	M8	22
30A(C)32X136H	32	45,1	75,2	200	2500	76,0	137,9						
30A(C)46X136	46	65,6	100,5	190	2300	72,5	141,4	54	M10	27	54	M10	27
30A(C)46X136H	46	65,6	100,5	190	2300	72,5	150,4						
30A(C)50X136	50	71,3	99,8	175	2100	72,5	145,0						
30A(C)50X136H	50	71,3	99,8	175	2100	72,5	154,0						



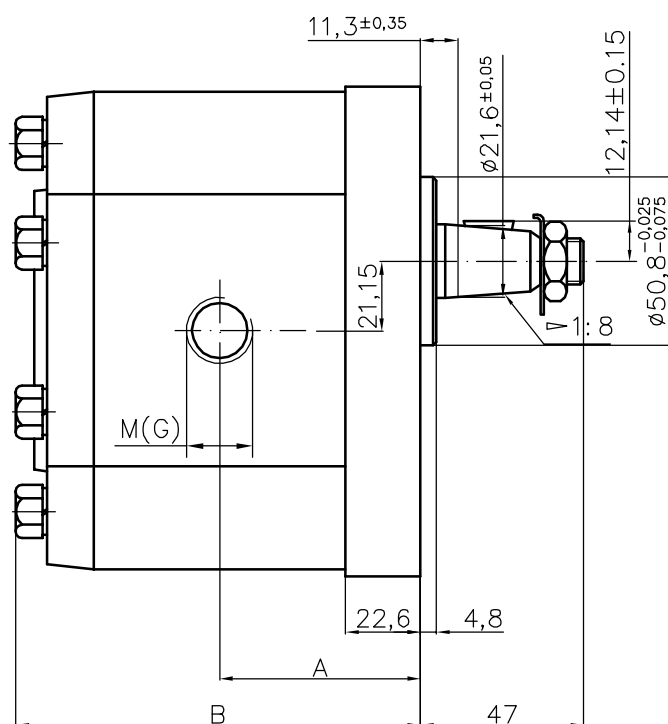
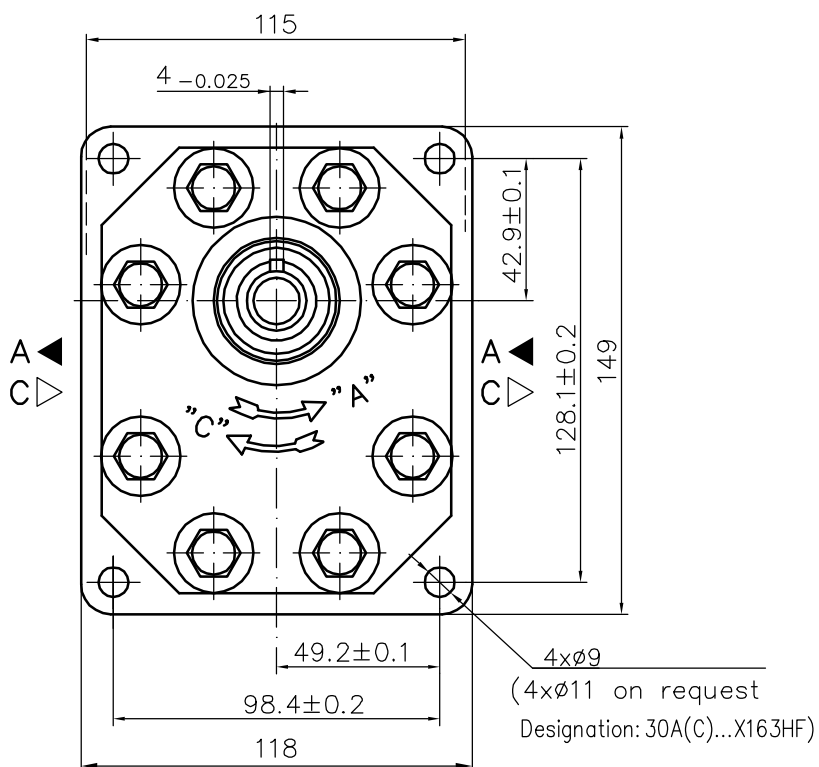
Type	Displacement cm ³ /rev	Flow		Pressure P _{nom} bar	max Speed n rpm	Dimension							
		at 1500 rpm l/min	at max rpm l/min			A mm	B mm	Inlet			Outlet		
								E	d	F	E	d	F
30A(C)20X146H	20	28,2	56,4	250	3000	56,1	116,7	40	M8	19	40	M8	19
30A(C)22,2X146H	22,5	31,7	63,5	250	3000	57,6	119,7						
30A(C)25X146H	25	35,3	70,5	250	3000	58,3	121,1						
30A(C)28X146H	28	39,5	79,0	250	3000	60,2	124,7						
30A(C)32X146	32	45,1	75,2	250	2500	62,0	128,3	51	M10	27	40	M8	19
30A(C)32X146H	32	45,1	90,2	250	3000	66,5	137,3						
30A(C)36X146	36	50,8	84,6	250	2500	63,5	131,4						
30A(C)36X146H	36	51,3	95,8	250	2800	68,0	140,5						
30A(C)42X146	42	59,9	91,8	230	2300	66,3	137,0						
30A(C)42X146H	42	59,9	99,8	230	2500	70,8	146,1						
30A(C)46X146H	46	65,6	100,5	230	2300	72,7	149,8						
30A(C)50X146H	50	71,3	99,8	200	2100	74,5	153,4						
30A(C)55X146H	55	78,4	91,4	200	1750	76,7	157,9						
30A(C)60X146H	60	85,5	99,8	180	1750	78,7	162,4						



Type	Displacement cm ³ /rev	Flow		Pressure P _{nom} bar	max Speed n rpm	Dimension							
		at 1500 rpm l/min	at max rpm l/min			Inlet			Outlet				
						A mm	B mm	M	G	U	M	G	U
30A(C)20X146HW ...	20	28,2	56,4	250	3000	56,1	119,7	M3x1.5	G1 - A		M27x1.5	G3/4 - A	
30A(C)22,5X146HW ...	22,5	31,7	63,5	250	3000	57,6	122,7						
30A(C)25X146HW ...	25	35,3	70,5	250	3000	58,3	124,1						
30A(C)28X146HW ...	28	39,5	79,0	250	3000	60,2	127,7						
30A(C)32X146W ...	32	45,1	75,2	250	2500	62,0	131,3						
30A(C)32X146HW ...	32	45,1	90,2	250	3000	66,5	140,3						
30A(C)36X146W ...	36	50,8	84,6	250	2500	63,5	134,4						
30A(C)36X146HW ...	36	51,3	95,8	250	2800	68,0	143,5						
30A(C)42X146W ...	42	59,9	91,8	230	2300	66,3	140,0						
30A(C)42X146HW ...	42	59,9	99,8	230	2500	70,8	149,1						
30A(C)46X146HW ...	46	65,6	100,5	210	2300	72,7	152,8						
30A(C)50X146HW ...	50	71,3	99,8	185	2100	74,5	156,4						
30A(C)55X146HW ...	55	78,4	91,4	165	1750	76,7	160,9						
30A(C)60X146HW ...	60	85,5	99,8	150	1750	78,7	165,4						

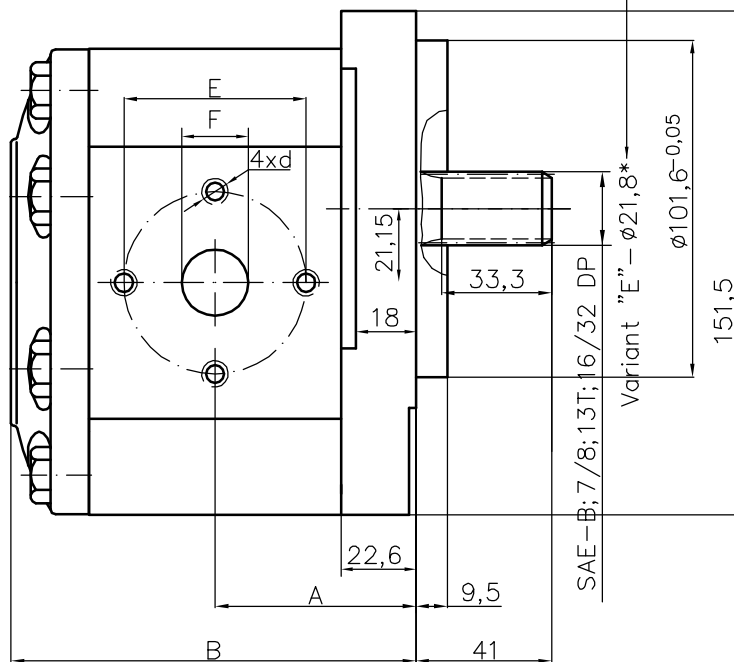
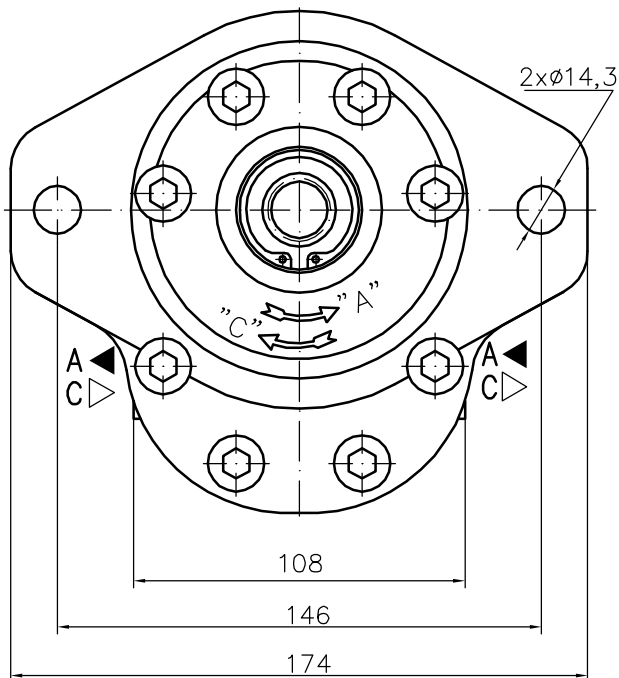


Type	Displacement cm ³ /rev	Flow		Pressure P _{nom} bar	max Speed n rpm	Dimension						
		at 1500 rpm l/min	at max rpm l/min			A mm	B mm	Inlet		Outlet		
								M	G		M	G
30A(C)20X160WH	20	28,2	56,4	200	3000		118,7	M33x1,5	G1"-A		M27x1,5	G3/4"-A
30A(C)22,2X160WH	22,5	31,7	63,5	200	3000		121,7					
30A(C)25X160WH	25	35,3	70,5	200	3000		123,1					
30A(C)28X160WH	28	39,5	79,0	200	3000		126,7					
30A(C)32X160W	32	45,1	75,2	200	2500		130,3					
30A(C)32X160WH	32	45,1	90,2	200	3000		139,3					
30A(C)36X160W	36	50,8	84,6	190	2500		133,4					
30A(C)36X160WH	36	51,3	95,8	190	2800		142,5					
30A(C)42X160W	42	59,9	91,8	190	2300		139,0					
30A(C)42X160WH	42	59,9	99,8	190	2500		148,1					
30A(C)46X160WH	46	65,6	100,5	175	2300		151,8					
30A(C)50X160WH	50	71,3	99,8	175	2100		155,4					
30A(C)55X160WH	55	78,4	91,4	175	1750		159,9					
30A(C)60X160WH	60	85,5	99,8	160	1750		164,4					



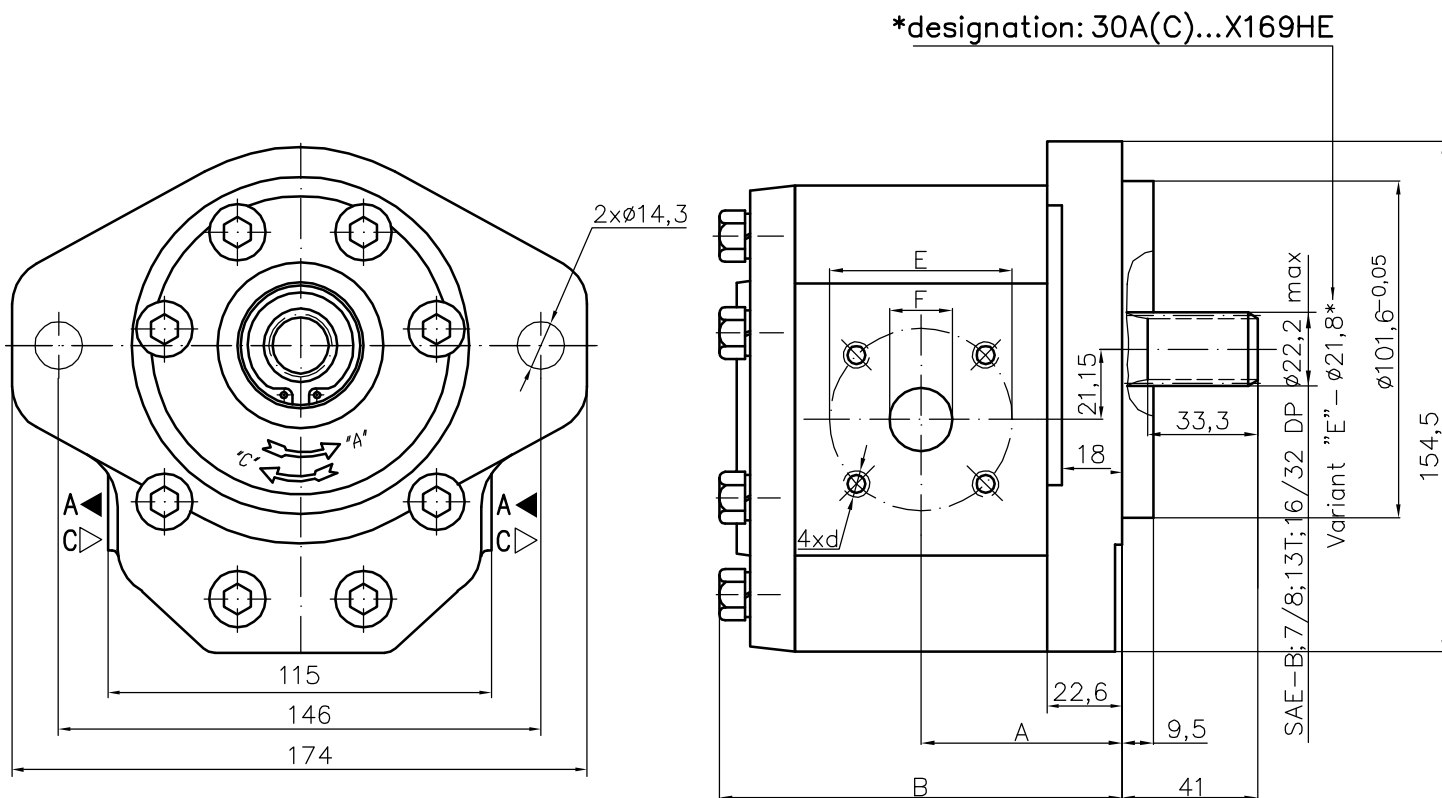
Type	Displacement cm ³ /rev	Flow		Pressure P _{nom} bar	max Speed n rpm	Dimension							
		at 1500 rpm l/min	at max rpm l/min			A mm	B mm	Inlet			Outlet		
								M	G	G3	M	G	G3
30A(C)20X163H	20	28,2	56,4	250	3000	56,1	116,7	M27x1,5	G3/4"-A	G3/4"-A			
30A(C)22,2X163H	22,5	31,7	63,5	250	3000	57,6	119,7						
30A(C)25X163H	25	35,3	70,5	250	3000	58,3	121,1						
30A(C)28X163H	28	39,5	79,0	250	3000	60,2	124,7						
30A(C)32X163	32	45,1	75,2	250	2500	62,0	128,3						
30A(C)32X163H	32	45,1	90,2	250	3000	66,5	137,3						
30A(C)36X163	36	50,8	84,6	250	2500	63,5	131,4	M33x1,5	G1"-A	G1"-A	M27x1,5	G3/4"-A	G3/4"-A
30A(C)36X163H	36	51,3	95,8	250	2800	68,0	140,5						
30A(C)42X163	42	59,9	91,8	230	2300	66,3	137,0						
30A(C)42X163H	42	59,9	99,8	230	2500	70,8	146,1						
30A(C)46X163H	46	65,6	100,5	230	2300	72,7	149,8						
30A(C)50X163H	50	71,3	99,8	200	2100	74,5	153,4						
30A(C)55X163H	55	78,4	91,4	200	1750	76,7	157,9						
30A(C)60X163H	60	85,5	99,8	180	1750	78,7	162,4						

*designation: 30A(C)...X166HE



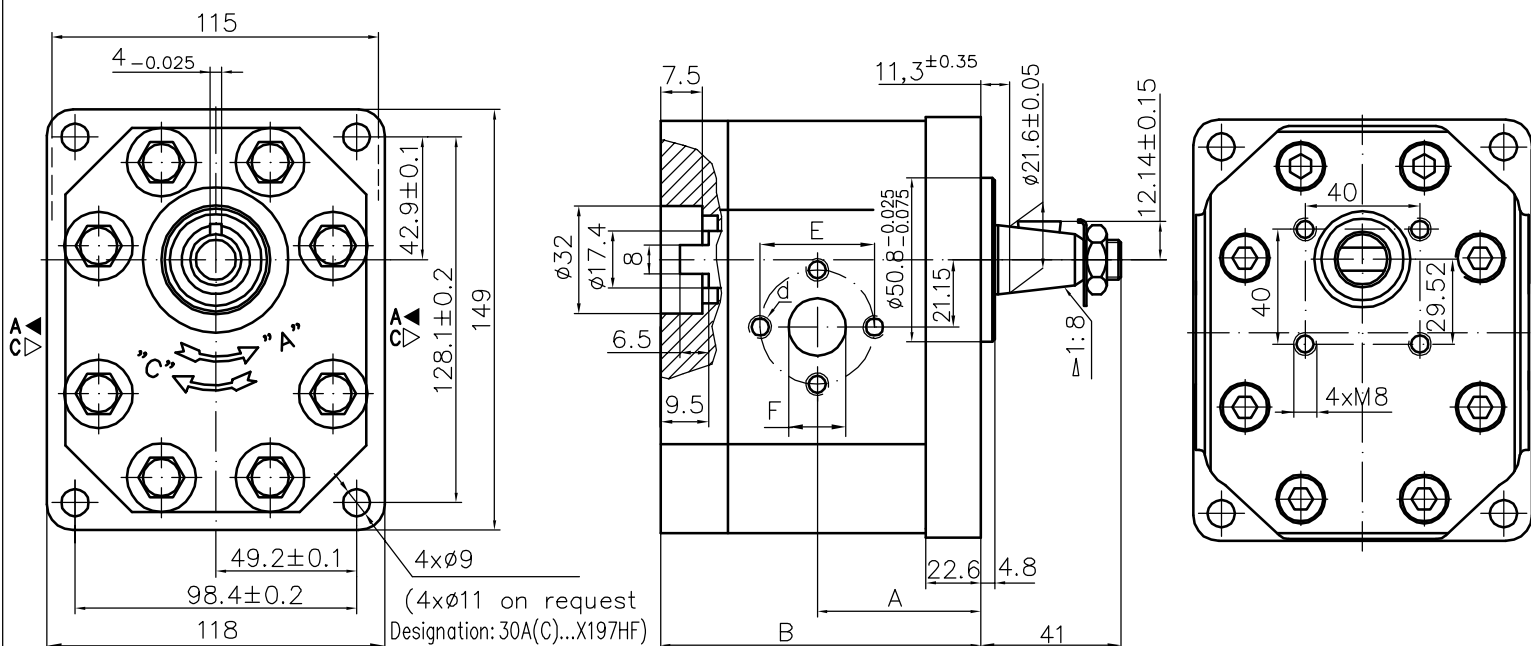
*designation: 30A(C)...X166HE

Type	Displacement cm ³ /rev	Flow		Pressure P _{nom} bar	max Speed n rpm	Dimension							
		at 1500 rpm l/min	at max rpm l/min			Inlet			Outlet				
						A mm	B mm	E	d	F	E	d	F
30A(C)20X166H	20	28,2	56,4	200	3000	56,1	116,7	40	M8	19	40	M8	19
30A(C)22,2X166H	22,5	31,7	63,5	200	3000	57,6	119,7						
30A(C)25X166H	25	35,3	70,5	200	3000	58,3	121,1						
30A(C)28X166H	28	39,5	79,0	200	3000	60,2	124,7						
30A(C)32X166	32	45,1	75,2	200	2500	62,0	128,3						
30A(C)32X166H	32	45,1	90,2	200	3000	66,5	137,3	51	M10	27	40	M8	19
30A(C)36X166	36	50,8	84,6	190	2500	63,5	131,4						
30A(C)36X166H	36	51,3	95,8	190	2800	68,0	140,5						
30A(C)42X166	42	59,9	91,8	190	2300	66,3	137,0						
30A(C)42X166H	42	59,9	99,8	190	2500	70,8	146,1						
30A(C)46X166H	46	65,6	100,5	190	2300	72,7	149,8						
30A(C)50X166H	50	71,3	99,8	175	2100	74,5	153,4						
30A(C)55X166H	55	78,4	91,4	175	1750	76,7	157,9						
30A(C)60X166H	60	85,5	99,8	160	1750	78,7	162,4						

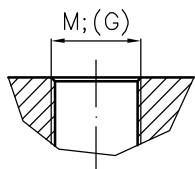


Type	Displacement cm ³ /rev	Flow		Pressure P _{nom} bar	max Speed n rpm	Dimension							
		at 1500 rpm l/min	at max rpm l/min			A mm	B mm	Inlet			Outlet		
								E	d	F	E	d	F
30A(C)20X169H	20	28,2	56,4	250	3000	56,1	116,7	40	M8	19	40	M8	19
30A(C)22,2X169H	22,5	31,7	63,5	250	3000	57,6	119,7						
30A(C)25X169H	25	35,3	70,5	250	3000	58,3	121,1						
30A(C)28X169H	28	39,5	79,0	250	3000	60,2	124,7						
30A(C)32X169	32	45,1	75,2	250	2500	62,0	128,3						
30A(C)32X169H	32	45,1	90,2	250	3000	66,5	137,3	55	M10	27	55		
30A(C)36X169	36	50,8	84,6	250	2500	63,5	131,4						
30A(C)36X169H	36	51,3	95,8	250	2800	68,0	140,5						
30A(C)42X169	42	59,9	91,8	230	2300	66,3	137,0						
30A(C)42X169H	42	59,9	99,8	230	2500	70,8	146,1						
30A(C)46X169H	46	65,6	100,5	230	2300	72,7	149,8						
30A(C)50X169H	50	71,3	99,8	200	2100	74,5	153,4						
30A(C)55X169H	55	78,4	91,4	200	1750	76,7	157,9						
30A(C)60X169H	60	85,5	99,8	180	1750	78,7	162,4						

Designed as first section of multiple gear pumps group 31.



1
Variants: "M"; "G" threads

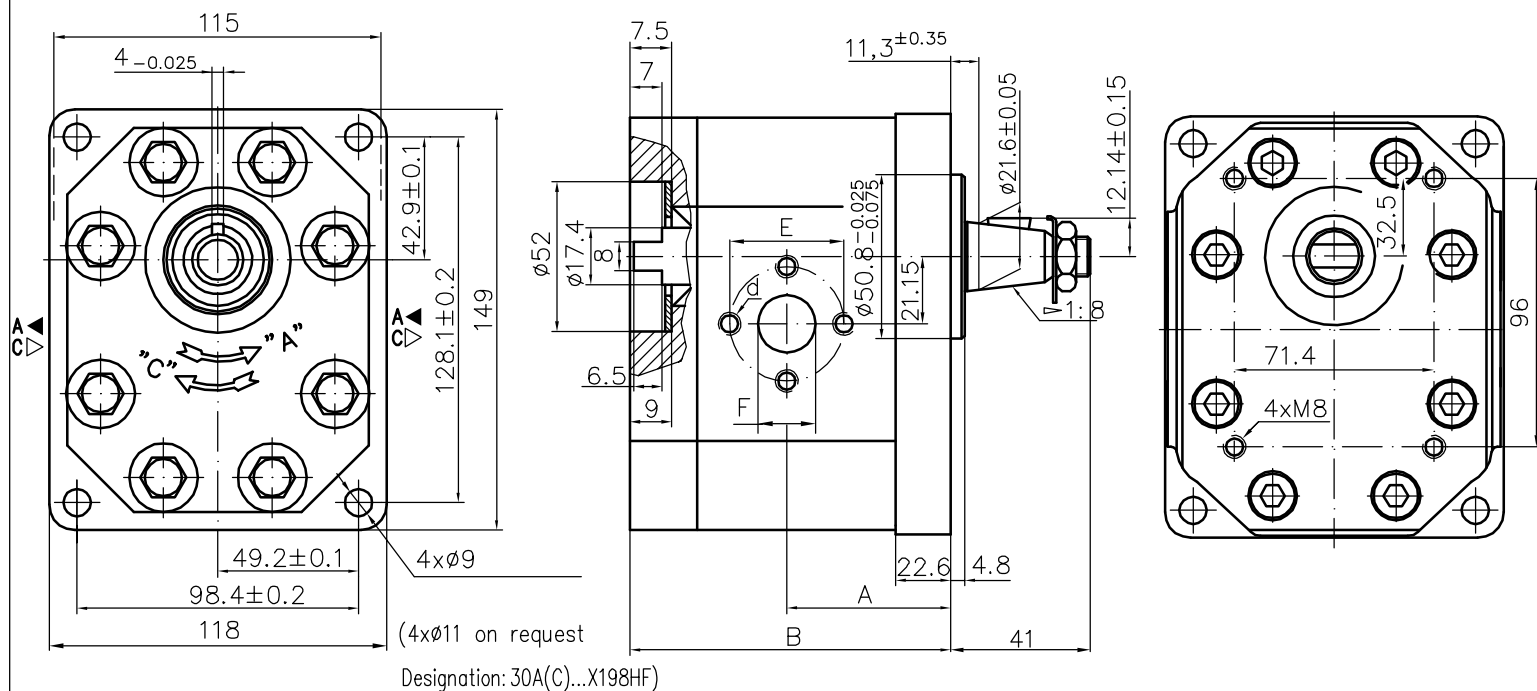


Designation: 30A(C)...X197HM(G)

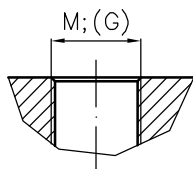
For ports measures see table at 30A(C)...X163H

Type	Displacement cm ³ /rev	Flow		Pressure P _{nom} bar	max Speed n rpm	Dimension								
		at 1500 rpm l/min	at max rpm l/min			A mm	B mm	Inlet			Outlet			
								E	d	F	E	d	F	
30A(C)20X197H	20	28,2	56,4	250	3000	56,1	117,2	40	M8	19	40	M8	19	
30A(C)22,2X197H	22,5	31,7	63,5	250	3000	57,6	120,2							
30A(C)25X197H	25	35,3	70,5	250	3000	58,3	121,6							
30A(C)28X197H	28	39,5	79,0	250	3000	60,2	125,2							
30A(C)32X197	32	45,1	75,2	250	2500	62,0	128,8							
30A(C)32X197H	32	45,1	90,2	250	3000	66,5	137,8	51	M10	27	40	M8	19	
30A(C)36X197	36	50,8	84,6	250	2500	63,5	131,9							
30A(C)36X197H	36	51,3	95,8	250	2800	68,0	141,0							
30A(C)42X197	42	59,9	91,8	230	2300	66,3	137,5							
30A(C)42X197H	42	59,9	99,8	230	2500	70,8	146,5							
30A(C)46X197H	46	65,6	100,5	230	2300	72,7	150,3	51	M10	27	40	M8	19	
30A(C)50X197H	50	71,3	99,8	200	2100	74,5	153,9							
30A(C)55X197H	55	78,4	91,4	200	1750	76,7	158,4							
30A(C)60X197H	60	85,5	99,8	180	1750	78,7	162,9							

Designed to connect with gear pumps group 20.



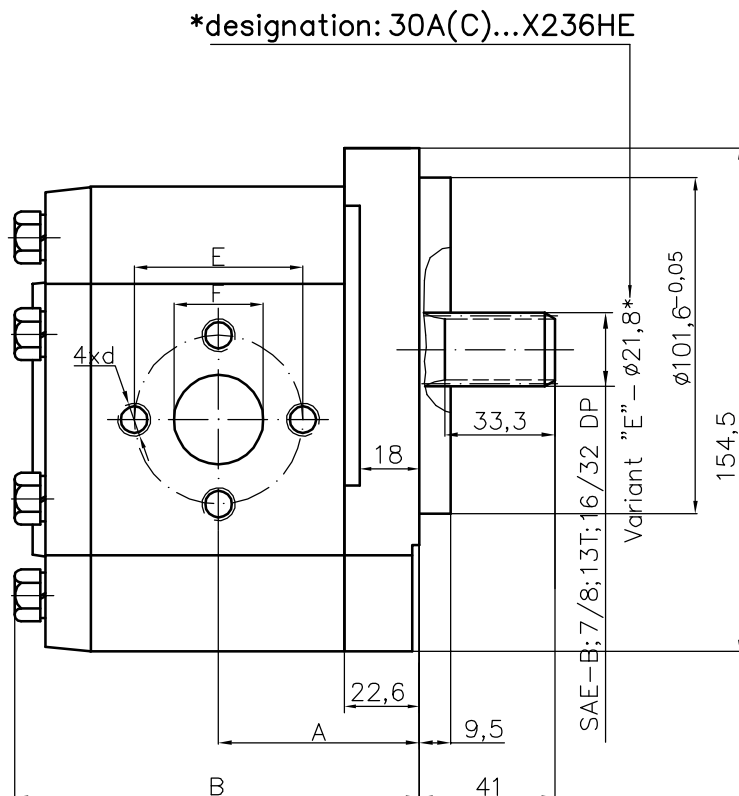
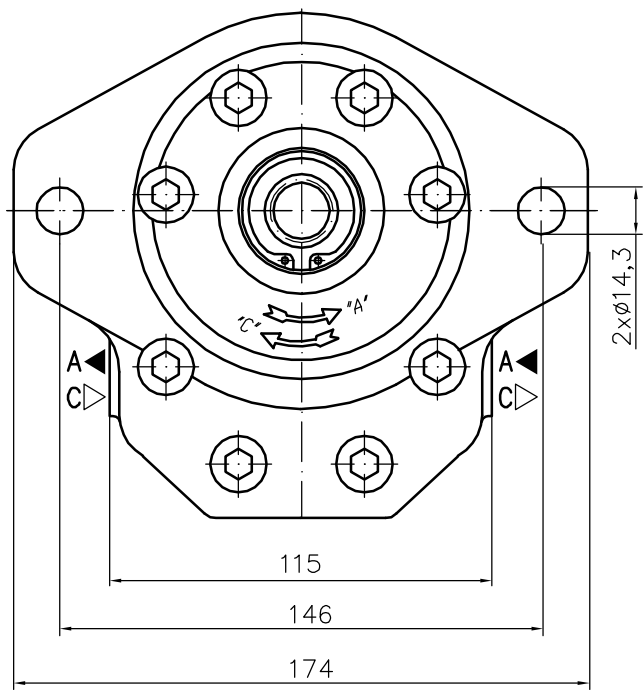
Variants: "M"; "G" threads



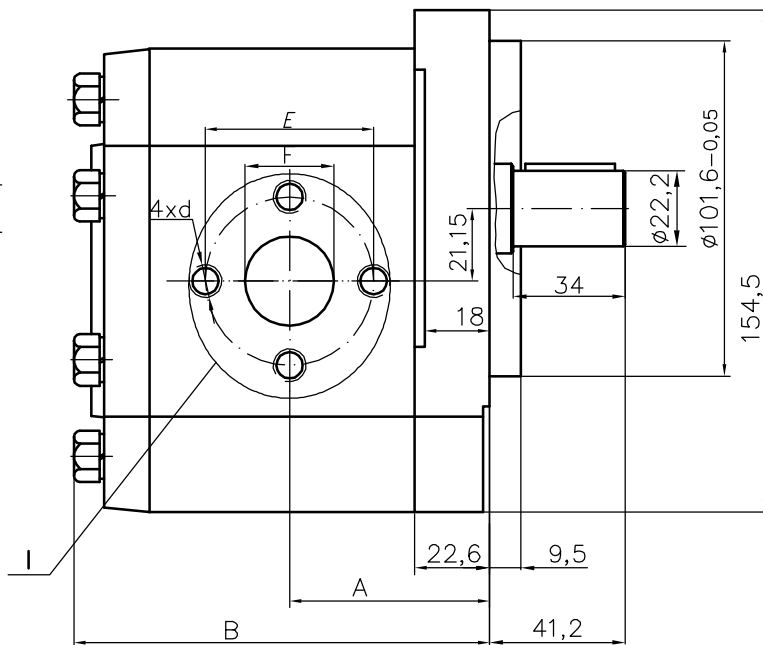
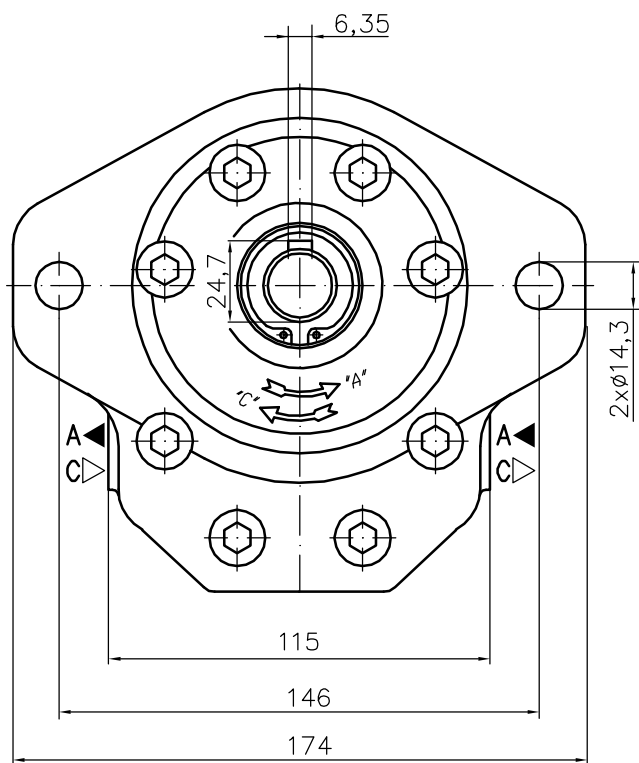
Designation: 30A(C)...X198HM(G)

For ports measures see table at 30A(C)...X163H

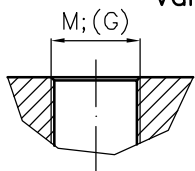
Type	Displacement cm ³ /rev	Flow		Pressure P _{nom} bar	max Speed n rpm	Dimension								
		at 1500 rpm l/min	at max rpm l/min			A mm	B mm	Inlet			Outlet			
								E	d	F	E	d	F	
30A(C)20X198H	20	28,2	56,4	250	3000	56,1	117,2	40	M8	19	40	M8	19	
30A(C)22,2X198H	22,5	31,7	63,5	250	3000	57,6	120,2							
30A(C)25X198H	25	35,3	70,5	250	3000	58,3	121,6							
30A(C)28X198H	28	39,5	79,0	250	3000	60,2	125,2							
30A(C)32X198	32	45,1	75,2	250	2500	62,0	128,8							
30A(C)32X198H	32	45,1	90,2	250	3000	66,5	137,8	51	M10	27	40	M8	19	
30A(C)36X198	36	50,8	84,6	250	2500	63,5	131,9							
30A(C)36X198H	36	51,3	95,8	250	2800	68,0	141,0							
30A(C)42X198	42	59,9	91,8	230	2300	66,3	137,5							
30A(C)42X198H	42	59,9	99,8	230	2500	70,8	146,5							
30A(C)46X198H	46	65,6	100,5	230	2300	72,7	150,3	51	M10	27	40	M8	19	
30A(C)50X198H	50	71,3	99,8	200	2100	74,5	153,9							
30A(C)55X198H	55	78,4	91,4	200	1750	76,7	158,4							
30A(C)60X198H	60	85,5	99,8	180	1750	78,7	162,9							



Type	Displacement cm ³ /rev	Flow		Pressure P _{nom} bar	max Speed n rpm	Dimension										
		at 1500 rpm l/min	at max rpm l/min			Inlet			Outlet							
						A mm	B mm	E	d	F	E	d	F			
30A(C)20X236H	20	28,2	56,4	250	3000	56,1	116,7	40	M8	19	40	M8	19			
30A(C)22,2X236H	22,5	31,7	63,5	250	3000	57,6	119,7									
30A(C)25X236H	25	35,3	70,5	250	3000	58,3	121,1									
30A(C)28X236H	28	39,5	79,0	250	3000	60,2	124,7									
30A(C)32X236	32	45,1	75,2	250	2500	62,0	128,3									
30A(C)32X236H	32	45,1	90,2	250	3000	66,5	137,3	51	M10	27				40	M8	19
30A(C)36X236	36	50,8	84,6	250	2500	63,5	131,4									
30A(C)36X236H	36	51,3	95,8	250	2800	68,0	140,5									
30A(C)42X236	42	59,9	91,8	230	2300	66,3	137,0									
30A(C)42X236H	42	59,9	99,8	230	2500	70,8	146,1									
30A(C)46X236H	46	65,6	100,5	230	2300	72,7	149,8									
30A(C)50X236H	50	71,3	99,8	200	2100	74,5	153,4									
30A(C)55X236H	55	78,4	91,4	200	1750	76,7	157,9									
30A(C)60X236H	60	85,5	99,8	180	1750	78,7	162,4									



Variants: "M"; "G" threads

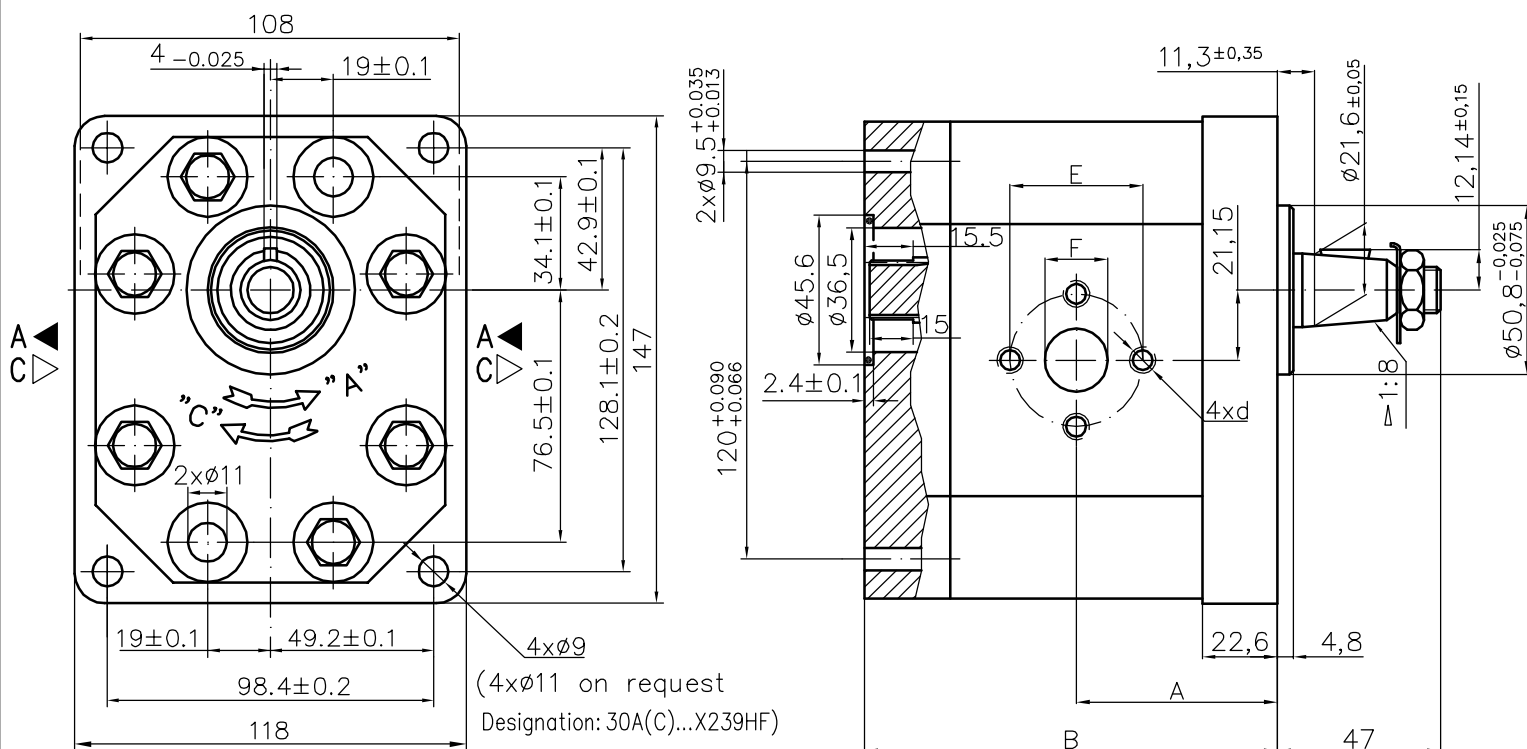


Designation: 30A(C)...X237HM(G)

For ports measures see table at 30A(C)...X163H

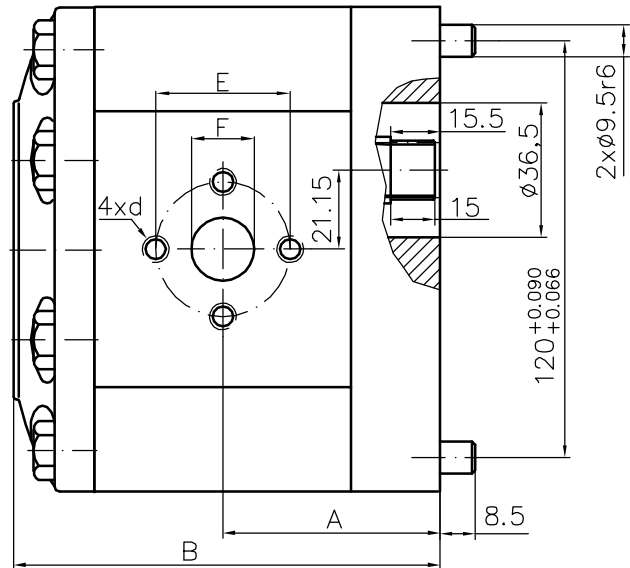
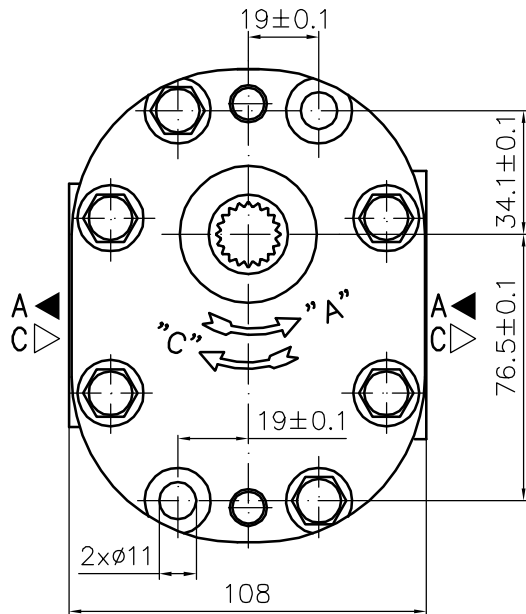
Type	Displacement cm ³ /rev	Flow		Pressure P _{nom} bar	max Speed n rpm	Dimension							
		at 1500 rpm l/min	at max rpm l/min			A mm	B mm	Inlet			Outlet		
								E	d	F	E	d	F
30A(C)20X237H	20	28,2	56,4	250	3000	56,1	116,7	40	M8	19			
30A(C)22,2X237H	22,5	31,7	63,5	250	3000	57,6	119,7						
30A(C)25X237H	25	35,3	70,5	250	3000	58,3	121,1						
30A(C)28X237H	28	39,5	79,0	250	3000	60,2	124,7						
30A(C)32X237	32	45,1	75,2	250	2500	62,0	128,3						
30A(C)32X237H	32	45,1	90,2	250	3000	66,5	137,3	51	M10	27	40	M8	19
30A(C)36X237	36	50,8	84,6	250	2500	63,5	131,4						
30A(C)36X237H	36	51,3	95,8	250	2800	68,0	140,5						
30A(C)42X237	42	59,9	91,8	230	2300	66,3	137,0						
30A(C)42X237H	42	59,9	99,8	230	2500	70,8	146,1						
30A(C)46X237H	46	65,6	100,5	230	2300	72,7	149,8						
30A(C)50X237H	50	71,3	99,8	200	2100	74,5	153,4						
30A(C)55X237H	55	78,4	91,4	200	1750	76,7	157,9						
30A(C)60X237H	60	85,5	99,8	180	1750	78,7	162,4						

Designed as a first section of multiple gear pumps group 33.



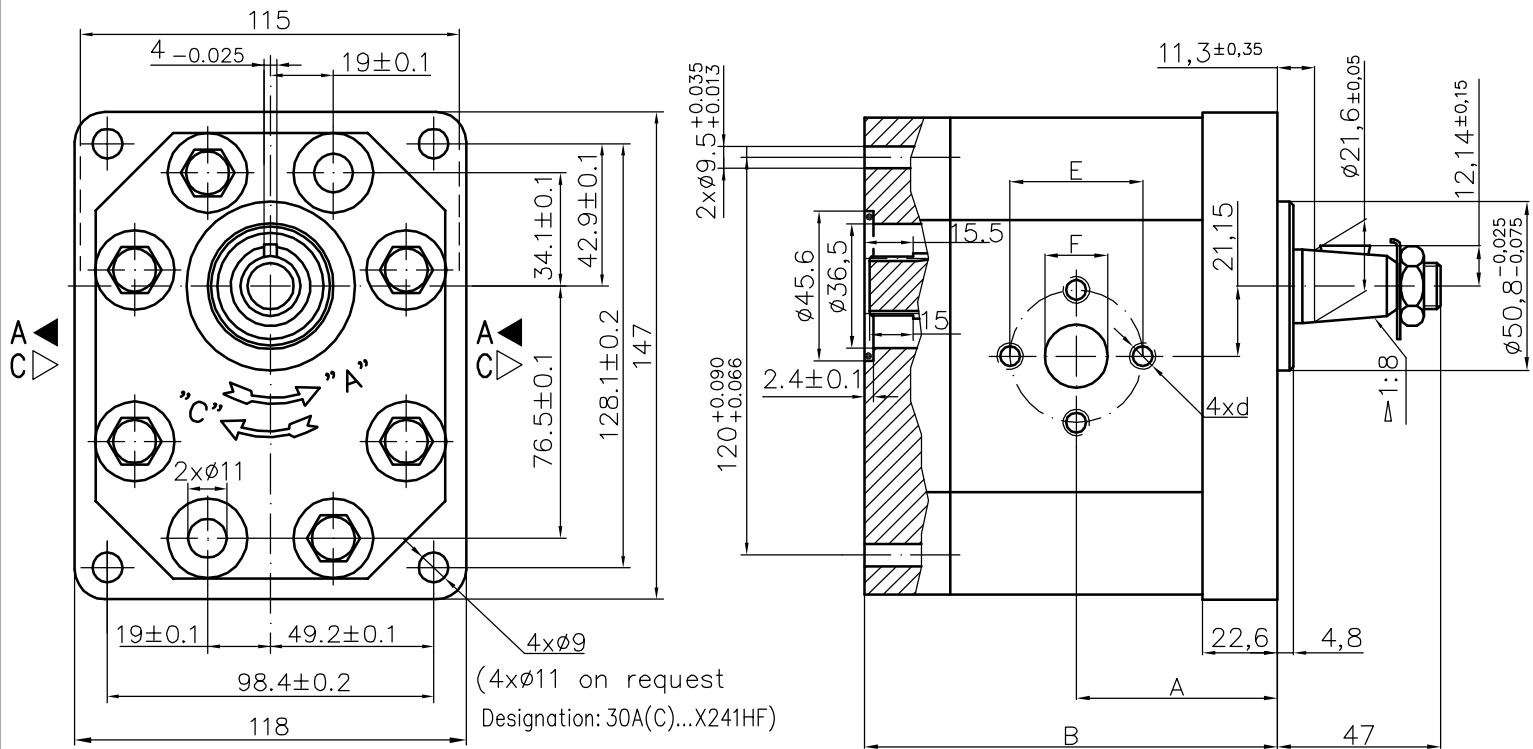
Type	Displacement cm ³ /rev	Flow		Pressure P _{nom} bar	max Speed n rpm	Dimension								
		at 1500 rpm l/min	at max rpm l/min			A mm	B mm	Inlet			Outlet			
								E	d	F	E	d	F	
30A(C)20X239H	20	28,2	56,4	200	3000	56,1	114,7	40	M8	19	40	M8	19	
30A(C)22,2X239H	22,5	31,7	63,5	200	3000	57,6	117,7							
30A(C)25X239H	25	35,3	70,5	200	3000	58,3	119,1							
30A(C)28X239H	28	39,5	79,0	200	3000	60,2	122,7							
30A(C)32X239	32	45,1	75,2	200	2500	62,0	126,3							
30A(C)32X239H	32	45,1	90,2	200	3000	66,5	135,3	51	M10	27	40	M8	19	
30A(C)36X239	36	50,8	84,6	190	2500	63,5	129,4							
30A(C)36X239H	36	51,3	95,8	190	2800	68,0	138,5							
30A(C)42X239	42	59,9	91,8	190	2300	66,3	135,0							
30A(C)42X239H	42	59,9	99,8	190	2500	70,8	144,0							
30A(C)46X239H	46	65,6	100,5	175	2300	72,7	147,8	51	M10	27	40	M8	19	
30A(C)50X239H	50	71,3	99,8	175	2100	74,5	151,4							
30A(C)55X239H	55	78,4	91,4	175	1750	76,7	155,9							
30A(C)60X239H	60	85,5	99,8	160	1750	78,7	160,4							

Designed as a second section of multiple gear pumps group 33.



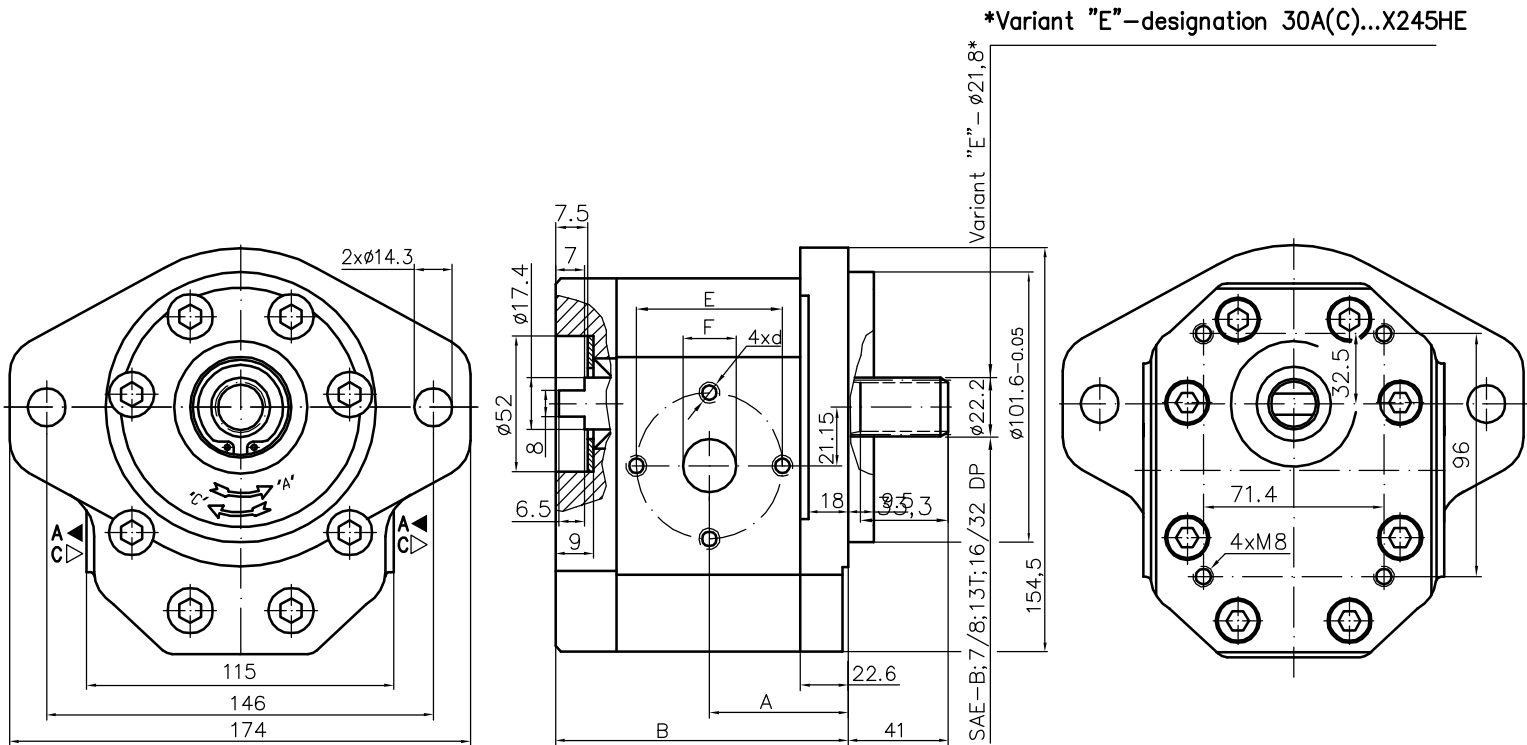
Type	Displacement cm ³ /rev	Flow		Pressure P _{nom} bar	max Speed n rpm	Dimension								
		at 1500 rpm l/min	at max rpm l/min			A mm	B mm	Inlet			Outlet			
								E	d	F	E	d	F	
30A(C)20X240H	20	28,2	56,4	200	3000	58,3	118,9	40	M8	19	40	M8	19	
30A(C)22,2X240H	22,5	31,7	63,5	200	3000	59,7	121,9							
30A(C)25X240H	25	35,3	70,5	200	3000	60,5	123,3							
30A(C)28X240H	28	39,5	79,0	200	3000	62,4	126,9							
30A(C)32X240	32	45,1	75,2	200	2500	64,2	130,5							
30A(C)32X240H	32	45,1	90,2	200	3000	68,7	139,5	51	M10	27	40	M8	19	
30A(C)36X240	36	50,8	84,6	190	2500	65,7	133,6							
30A(C)36X240H	36	51,3	95,8	190	2800	70,2	142,7							
30A(C)42X240	42	59,9	91,8	190	2300	68,5	139,2							
30A(C)42X240H	42	59,9	99,8	190	2500	73,0	148,3							
30A(C)46X240H	46	65,6	100,5	175	2300	74,9	152,0	51	M10	27	40	M8	19	
30A(C)50X240H	50	71,3	99,8	175	2100	76,7	155,6							
30A(C)55X240H	55	78,4	91,4	175	1750	78,9	160,1							
30A(C)60X240H	60	85,5	99,8	160	1750	80,9	164,6							

Designed as a first section of multiple gear pumps group 33.



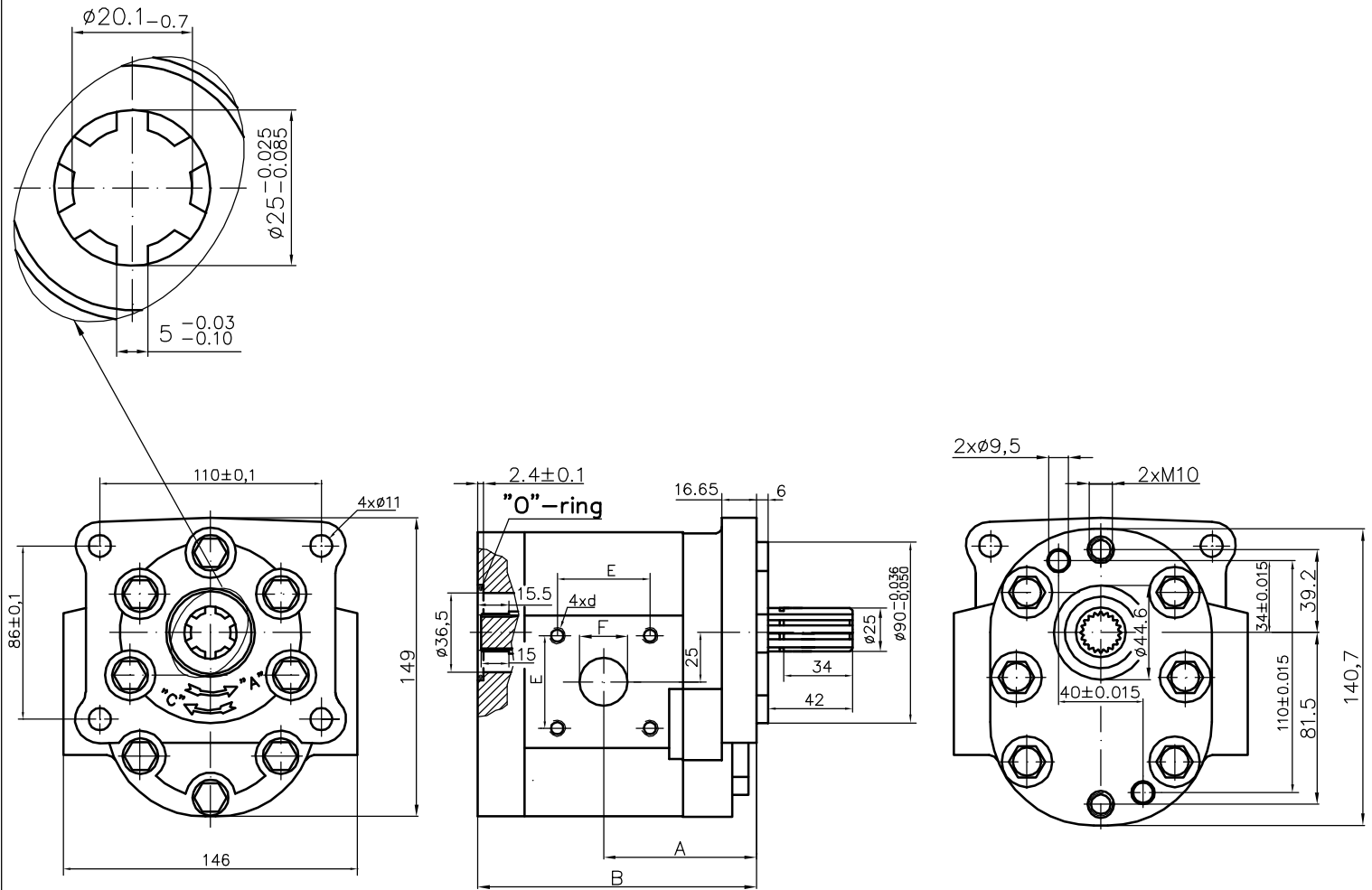
Type	Displacement cm ³ /rev	Flow		Pressure P _{nom} bar	max Speed n rpm	Dimension							
		at 1500 rpm l/min	at max rpm l/min			A mm	B mm	Inlet			Outlet		
								E	d	F	E	d	F
30A(C)20X241H	20	28,2	56,4	250	3000	56,1	114,7	40	M8	19			
30A(C)22,2X241H	22,5	31,7	63,5	250	3000	57,6	117,7						
30A(C)25X241H	25	35,3	70,5	250	3000	58,3	119,1						
30A(C)28X241H	28	39,5	79,0	250	3000	60,2	122,7						
30A(C)32X241	32	45,1	75,2	250	2500	62,0	126,3	51	M10	27	40	M8	19
30A(C)32X241H	32	45,1	90,2	250	3000	66,5	135,3						
30A(C)36X241	36	50,8	84,6	250	2500	63,5	129,4						
30A(C)36X241H	36	51,3	95,8	250	2800	68,0	138,5						
30A(C)42X241	42	59,9	91,8	230	2300	66,3	135,0	51	M10	27	40	M8	19
30A(C)42X241H	42	59,9	99,8	230	2500	70,8	144,0						
30A(C)46X241H	46	65,6	100,5	230	2300	72,7	147,8						
30A(C)50X241H	50	71,3	99,8	200	2100	74,5	151,4						
30A(C)55X241H	55	78,4	91,4	200	1750	76,7	155,9	51	M10	27	40	M8	19
30A(C)60X241H	60	85,5	99,8	180	1750	78,7	160,4						

Designed as a first section of multiple gear pumps group 32.
Usually connected with second section pumps type 20A(C)...X201 and others with central diameter $\varnothing 52$.



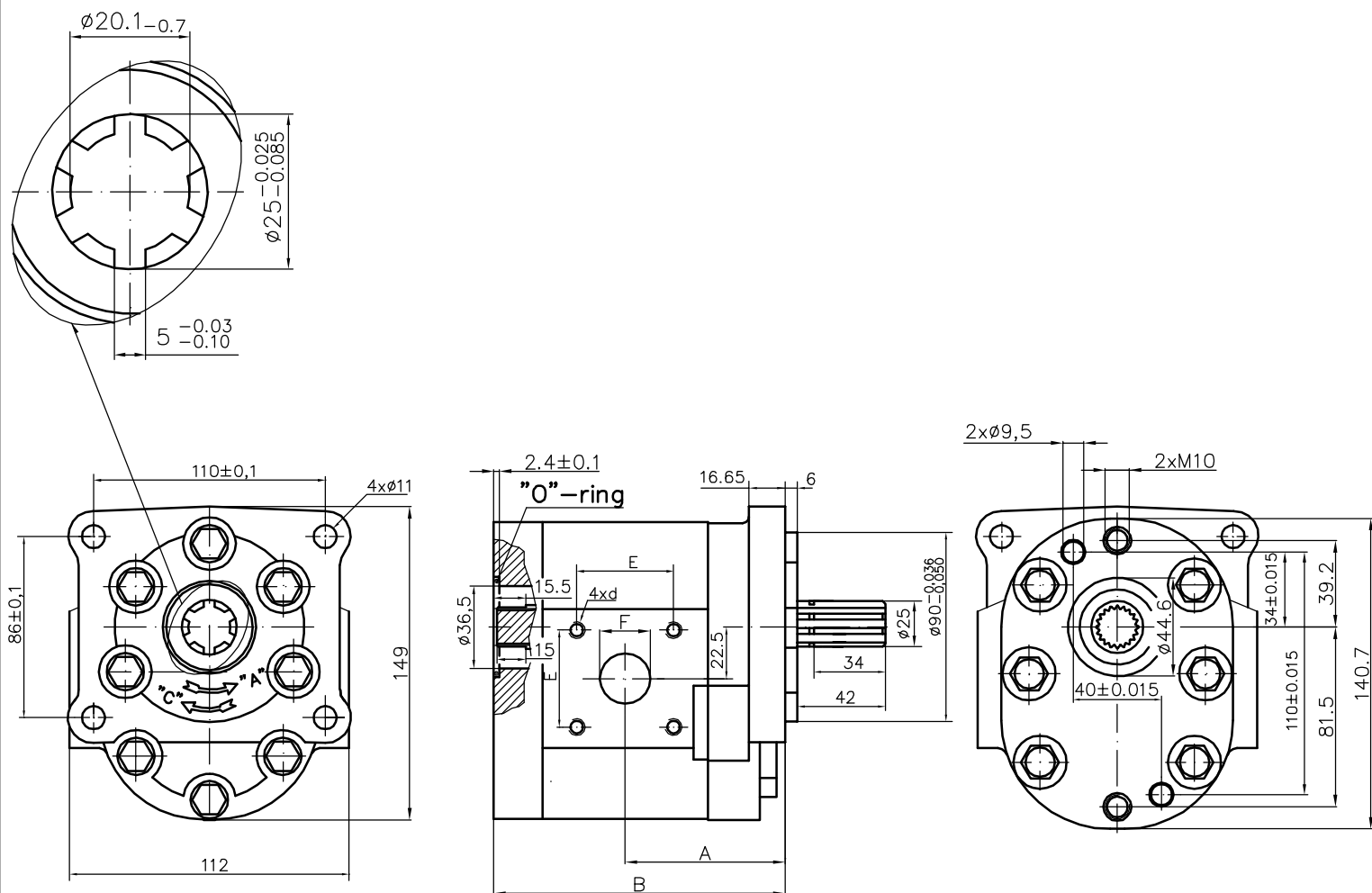
Type	Displacement cm ³ /rev	Flow		Pressure P _{nom} bar	max Speed n rpm	Dimension							
		at 1500 rpm l/min	at max rpm l/min			Inlet			Outlet				
						A mm	B mm	E	d	F	E	d	F
30A(C)20X245H	20	28,2	56,4	250	3000	56,1	114,7	40	M8	19			
30A(C)22,2X245H	22,5	31,7	63,5	250	3000	57,6	117,7						
30A(C)25X245H	25	35,3	70,5	250	3000	58,3	119,1						
30A(C)28X245H	28	39,5	79,0	250	3000	60,2	122,7						
30A(C)32X245	32	45,1	75,2	250	2500	62,0	126,3	51	M10	27	40	M8	19
30A(C)32X245H	32	45,1	90,2	250	3000	66,5	135,3						
30A(C)36X245	36	50,8	84,6	250	2500	63,5	129,4						
30A(C)36X245H	36	51,3	95,8	250	2800	68,0	138,5						
30A(C)42X245	42	59,9	91,8	230	2300	66,3	135,0						
30A(C)42X245H	42	59,9	99,8	230	2500	70,8	144,0						
30A(C)46X245H	46	65,6	100,5	230	2300	72,7	147,8						
30A(C)50X245H	50	71,3	99,8	200	2100	74,5	151,4						
30A(C)55X245H	55	78,4	91,4	200	1750	76,7	155,9						
30A(C)60X245H	60	85,5	99,8	180	1750	78,7	160,4						

Designed as a first section of multiple gear pumps group 33.



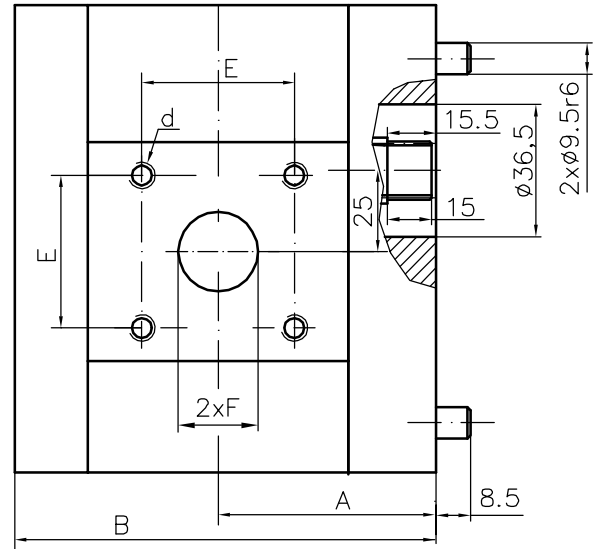
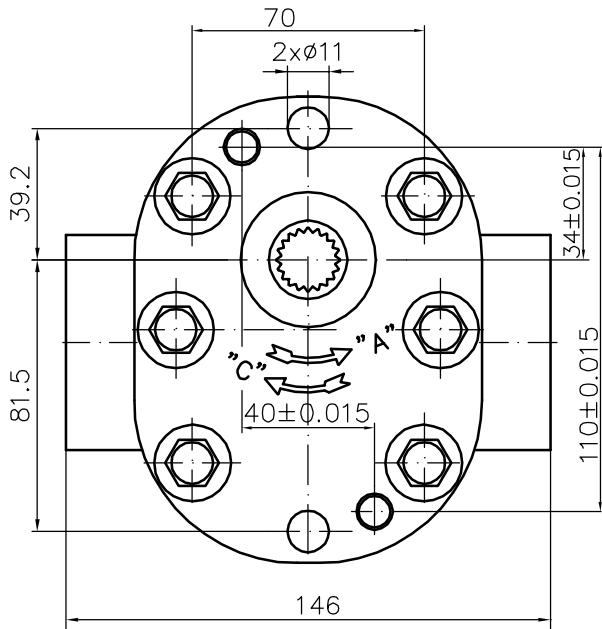
Type	Displacement cm ³ /rev	Flow		Pressure P _{nom} bar	max Speed n rpm	Dimension							
		at 1500 rpm l/min	at max rpm l/min			Inlet		Outlet					
						A mm	B mm	E	d	F	E	d	F
30A(C)25X247	24,5	34,5	69,1	200	3000	72,5	133,0	46	M8	20	46	M8	20
30A(C)32X247	32	45,1	75,2	200	2500	76,0	140,3	46	M8	22	46	M8	22
30A(C)32X247H	32	45,1	75,2	200	2500	76,0	140,7						
30A(C)46X247	46	65,6	100,5	190	2300	72,5	144,2	54	M10	27	54	M10	27
30A(C)46X247H	46	65,6	100,5	190	2300	72,5	153,2						
30A(C)50X247	50	71,3	99,8	175	2100	72,5	147,8						
30A(C)50X247H	50	71,3	99,8	175	2100	72,5	156,8						

Designed as a first section of multiple gear pumps group 33.



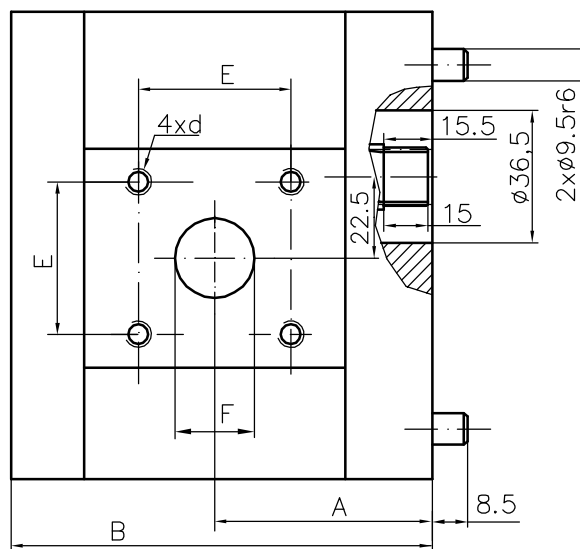
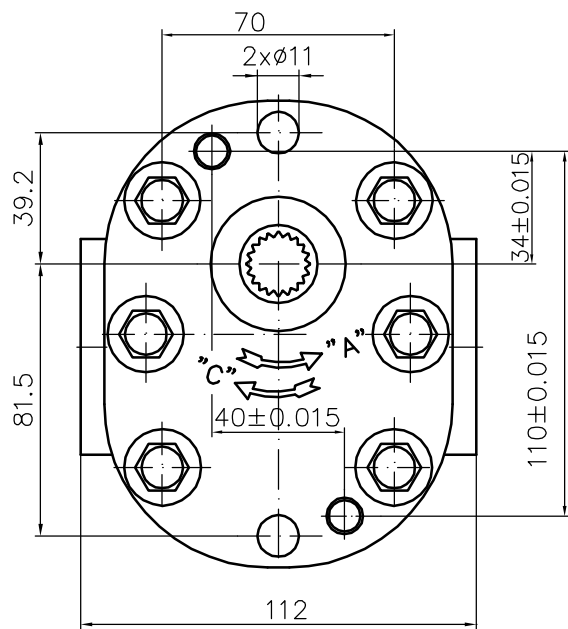
Type	Displacement cm ³ /rev	Flow		Pressure P _{nom} bar	max Speed n rpm	Dimension							
		at 1500 rpm l/min	at max rpm l/min			Inlet		Outlet					
						A mm	B mm	E mm	d mm	F mm	E mm	d mm	F mm
30A(C)25X247Y	24,5	34,5	69,1	200	3000	64,0	124,5	46	M8	20	46	M8	20
30A(C)32X247Y	32	45,1	75,2	200	2500	67,6	131,8	46	M8	22	46	M8	22
30A(C)46X247Y	46	65,6	100,5	190	2300	72,5	144,2						
30A(C)50X247Y	50	71,3	99,8	175	2100	72,5	147,8	54	M10	27	54	M10	27

Designed as a second section of multiple gear pumps group 33.

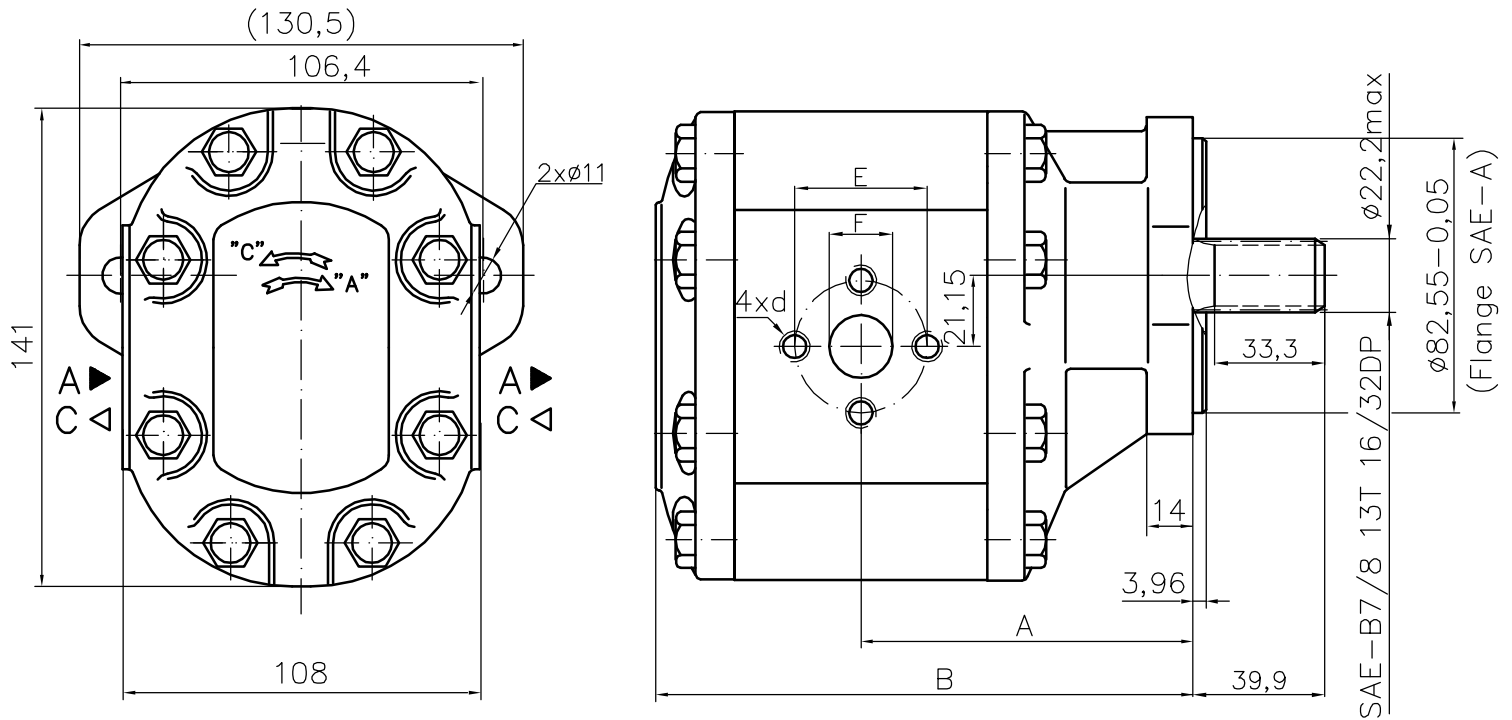


Type	Displacement cm ³ /rev	Flow		Pressure P _{nom} bar	max Speed n rpm	Dimension							
		at 1500 rpm l/min	at max rpm l/min			Inlet		Outlet					
						A mm	B mm	E	d	F	E	d	F
30A(C)25X248	24,5	34,5	69,1	200	3000	60,6	118,3	46	M8	19	46	M8	19
30A(C)32X248	32	45,1	75,2	200	2500	64,2	125,5	46	M8	22	46	M8	22
30A(C)46X248	46	65,6	100,5	190	2300	70,4	138,0	54	M10	27	54	M10	27
30A(C)50X248	50	71,3	99,8	175	2100	72,2	141,6						

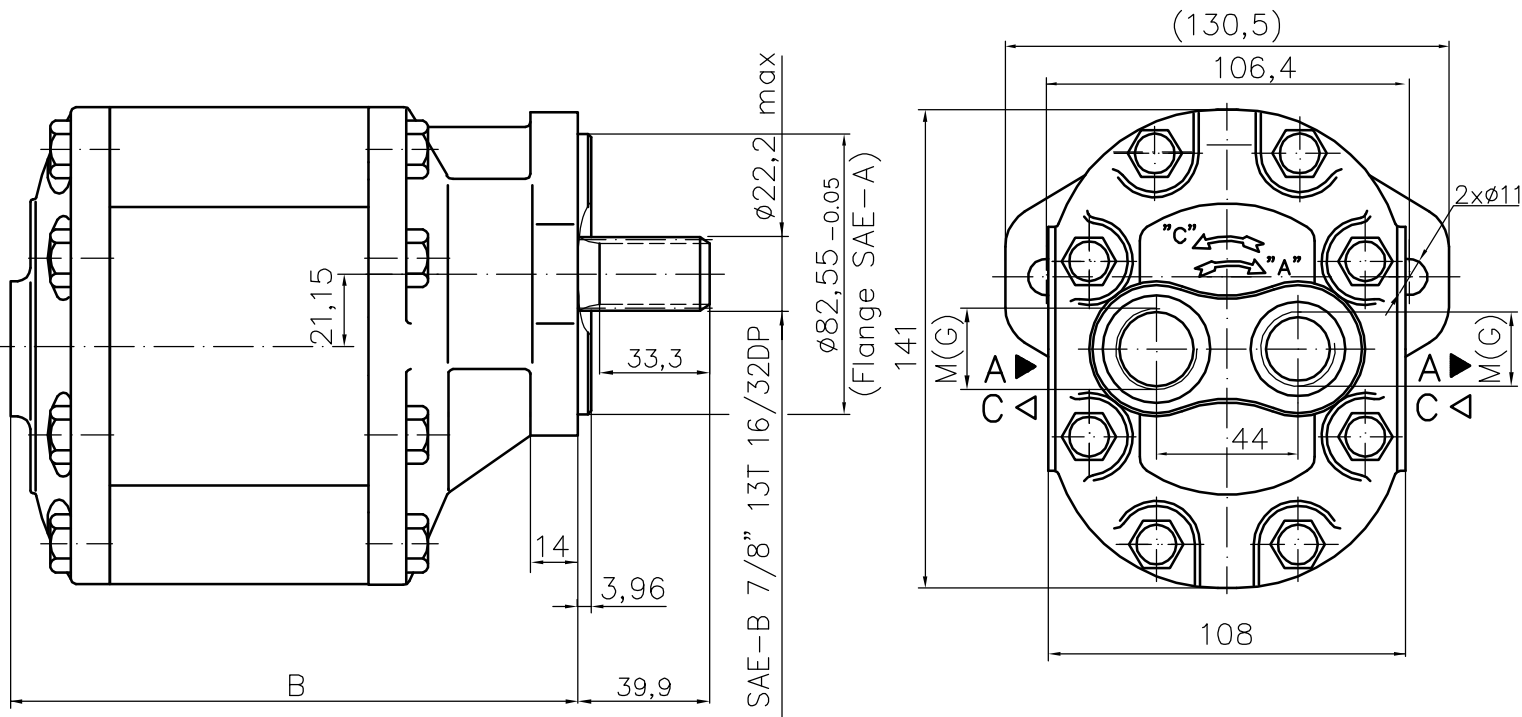
Designed as a second section of multiple gear pumps group 33.



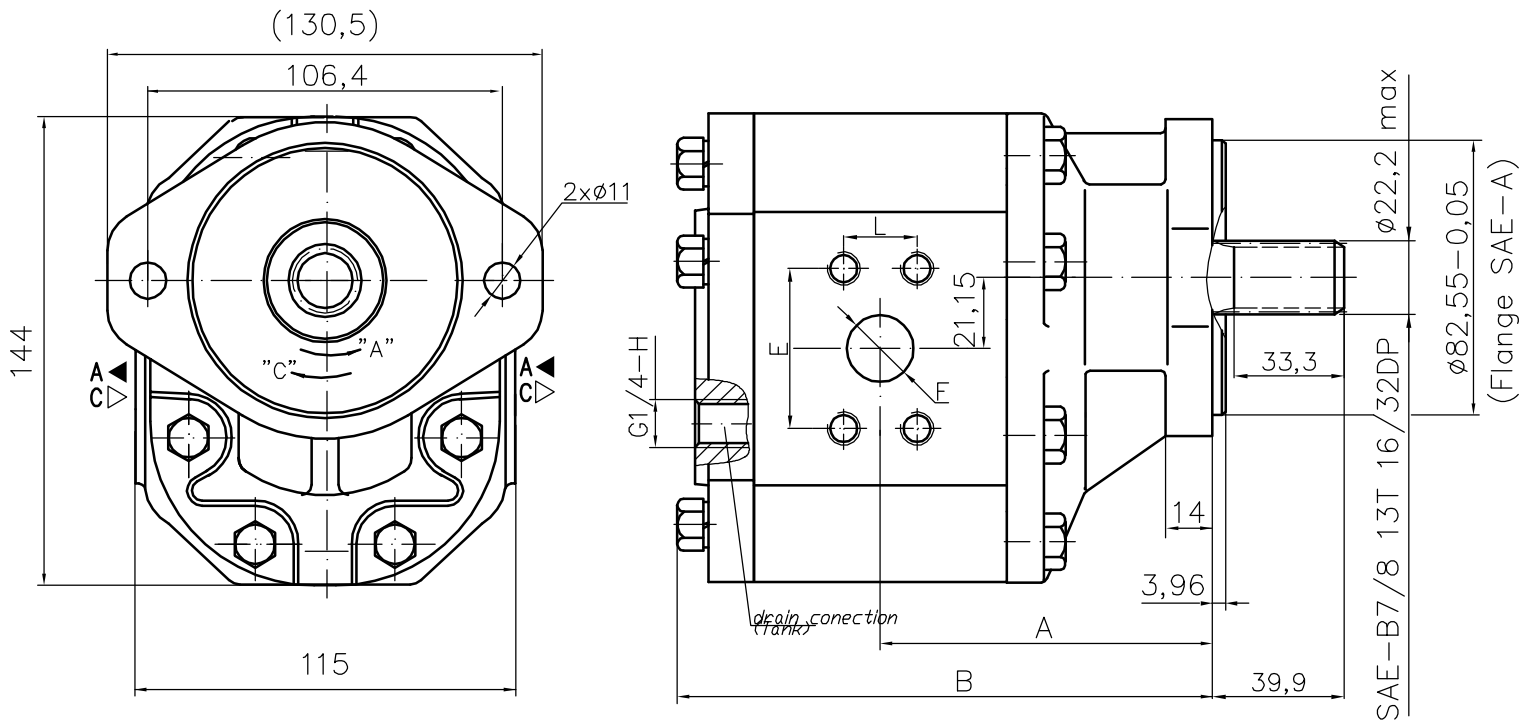
Type	Displacement cm ³ /rev	Flow		Pressure P _{nom} bar	max Speed n rpm	Dimension							
		at 1500 rpm l/min	at max rpm l/min			Inlet		Outlet					
						A mm	B mm	E	d	F	E	d	F
30A(C)25X248Y	24,5	34,5	69,1	200	3000	60,6	118,3	46	M8	20	46	M8	20
30A(C)32X248Y	32	45,1	75,2	200	2500	64,2	125,5	46	M8	22	46	M8	22
30A(C)46X248Y	46	65,6	100,5	190	2300	70,4	138,0						
30A(C)50X248Y	50	71,3	99,8	175	2100	72,2	141,6	54	M10	27	54	M10	27



Type	Displacement cm ³ /rev	Flow		Pressure P _{nom} bar	max Speed n rpm	Dimension							
		at 1500 rpm l/min	at max rpm l/min			A mm	B mm	Inlet			Outlet		
								E	d	F	E	d	F
30A(C)20X263H	20	28,2	56,4	200	3000	95,1	152,3	40	M8	19	40	M8	19
30A(C)22,2X263H	22,5	31,7	63,5	200	3000	96,8	155,4						
30A(C)25X263H	25	35,3	70,5	200	3000	97,4	156,8						
30A(C)28X263H	28	39,5	79,0	200	3000	99,1	160,2						
30A(C)32X263	32	45,1	75,2	200	2500	101,0	163,8						
30A(C)32X263H	32	45,1	90,2	200	3000	105,5	172,8	51	M10	27	40	M8	19
30A(C)36X263	36	50,8	84,6	190	2500	102,7	166,9						
30A(C)36X263H	36	51,3	95,8	190	2800	107,2	175,9						
30A(C)42X263	42	59,9	91,8	190	2300	105,3	172,5						
30A(C)42X263H	42	59,9	99,8	190	2500	109,8	181,5						
30A(C)46X263H	46	65,6	100,5	175	2300	111,7	186,3	51	M10	27	40	M8	19
30A(C)50X263H	50	71,3	99,8	175	2100	113,5	188,9						
30A(C)55X263H	55	78,4	91,4	175	1750	115,7	193,4						
30A(C)60X263H	60	85,5	99,8	160	1750	118,0	197,9						

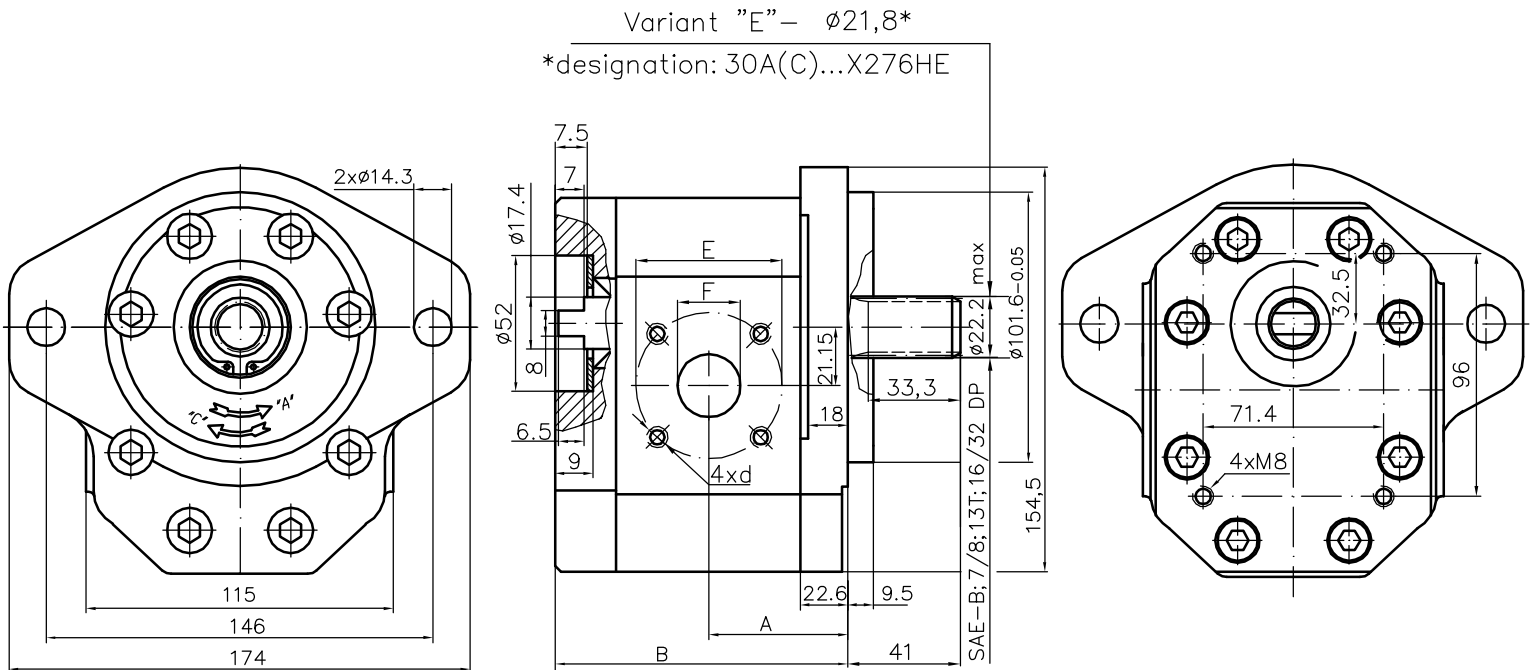


Type	Displacement cm ³ /rev	Flow		Pressure P _{nom} bar	max Speed n rpm	Dimension						
		at 1500 rpm l/min	at max rpm l/min			A mm	B mm	Inlet		Outlet		
								M	G		M	G
30A(C)20X263WH	20	28,2	56,4	200	3000		157,8	M33x2	G1"-A		M27x1,5	G3/4"-A
30A(C)22,2X263WH	22,5	31,7	63,5	200	3000		160,9					
30A(C)25X263WH	25	35,3	70,5	200	3000		162,3					
30A(C)28X263WH	28	39,5	79,0	200	3000		165,7					
30A(C)32X263W	32	45,1	75,2	200	2500		169,3					
30A(C)32X263WH	32	45,1	90,2	200	3000		178,3					
30A(C)36X263W	36	50,8	84,6	190	2500		172,4					
30A(C)36X263WH	36	51,3	95,8	190	2800		181,4					
30A(C)42X263W	42	59,9	91,8	190	2300		178,0					
30A(C)42X263WH	42	59,9	99,8	190	2500		187,0					
30A(C)46X263WH	46	65,6	100,5	175	2300		191,8					
30A(C)50X263WH	50	71,3	99,8	175	2100		194,4					
30A(C)55X263WH	55	78,4	91,4	175	1750		198,9					
30A(C)60X263WH	60	85,5	99,8	160	1750		203,4					



Type	Displacement cm ³ /rev	Flow		Pressure P _{nom} bar	max Speed n rpm	Dimension									
		at 1500 rpm l/min	at max rpm l/min			A mm	B mm	Inlet				Outlet			
						E	d	F	L	E	d	F	L		
30A(C)32X274	32	45,1	75,2	220	2500	101,0	163,8	52,4	M8	27	26,2	52,4	M8	18	26,2
30A(C)32X274H	32	45,1	90,2	220	3000	105,5	172,8	52,4	M8	27	26,2	52,4	M8	18	26,2
30A(C)55X274	55	78,4	91,4	200	1750	111,2	184,4	35,6	M8	32	69,8	52,4	M8	22	26,2
30A(C)55X274H	55	78,4	91,4	200	1750	115,7	193,4	35,6	M8	32	69,8	52,4	M8	22	26,2

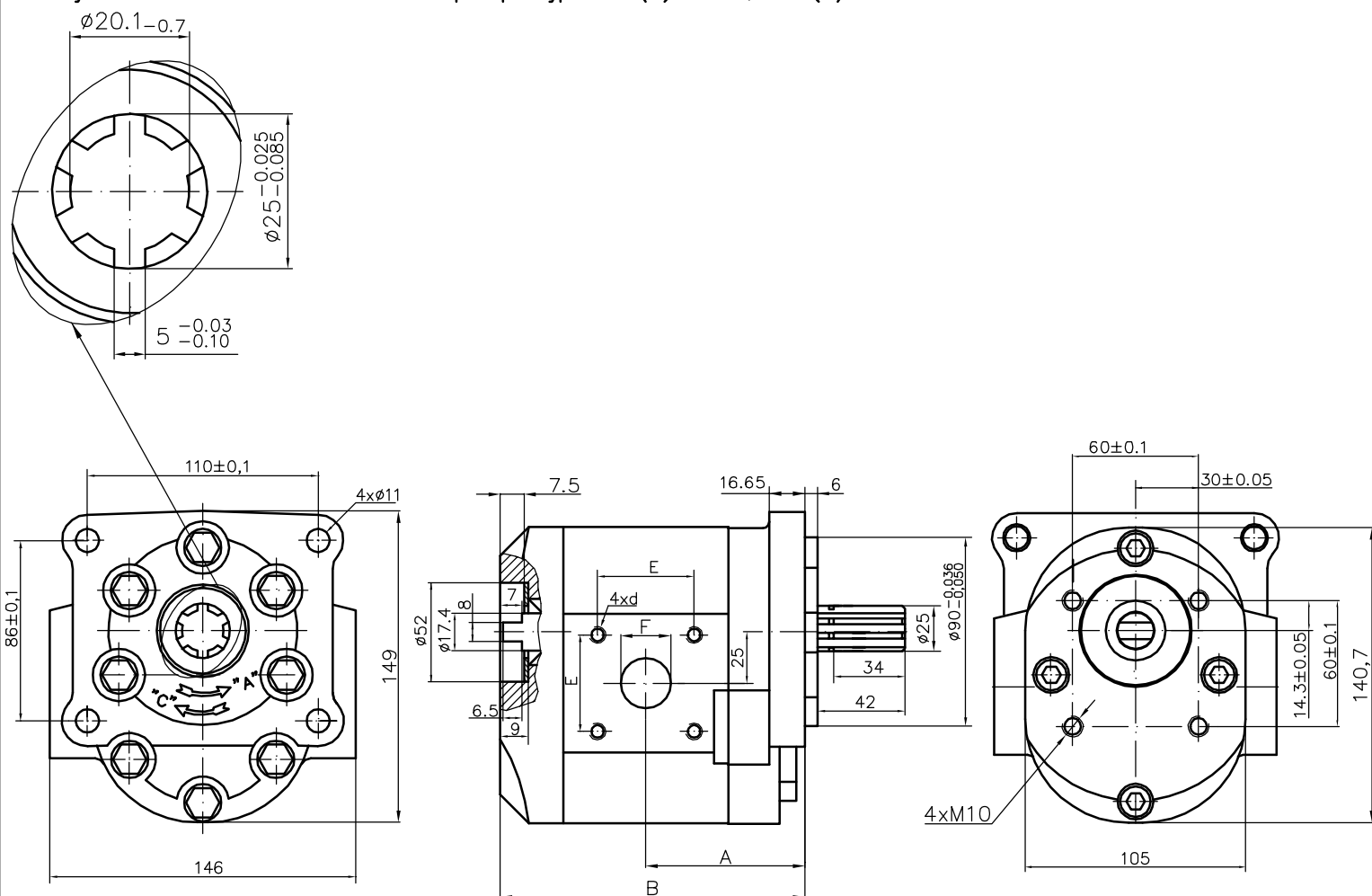
Designed as a first section of multiple gear pumps group 32.



Type	Displacement cm ³ /rev	Flow		Pressure P _{nom} bar	max Speed n rpm	Dimension							
		at 1500 rpm l/min	at max rpm l/min			Inlet		Outlet					
						A mm	B mm	E	d	F	E	d	F
30A(C)20X276H	20	28,2	56,4	250	3000	56,1	114,7	40	M8	19	40	M8	19
30A(C)22,2X276H	22,5	31,7	63,5	250	3000	57,6	117,7						
30A(C)25X276H	25	35,3	70,5	250	3000	58,3	119,1						
30A(C)28X276H	28	39,5	79,0	250	3000	60,2	122,7						
30A(C)32X276	32	45,1	75,2	250	2500	62,0	126,3	55	M8	27	55	M8	19
30A(C)32X276H	32	45,1	90,2	250	3000	66,5	135,3						
30A(C)36X276	36	50,8	84,6	250	2500	63,5	129,4						
30A(C)36X276H	36	51,3	95,8	250	2800	68,0	138,5						
30A(C)42X276	42	59,9	91,8	230	2300	66,3	135,0	55	M8	27	55	M8	19
30A(C)42X276H	42	59,9	99,8	230	2500	70,8	144,0						
30A(C)46X276H	46	65,6	100,5	230	2300	72,7	147,8						
30A(C)50X276H	50	71,3	99,8	200	2100	74,5	151,4						
30A(C)55X276H	55	78,4	91,4	200	1750	76,7	155,9	55	M8	27	55	M8	19
30A(C)60X276H	60	85,5	99,8	180	1750	78,7	160,4						

Designed as a first section of multiple gear pumps group 32.

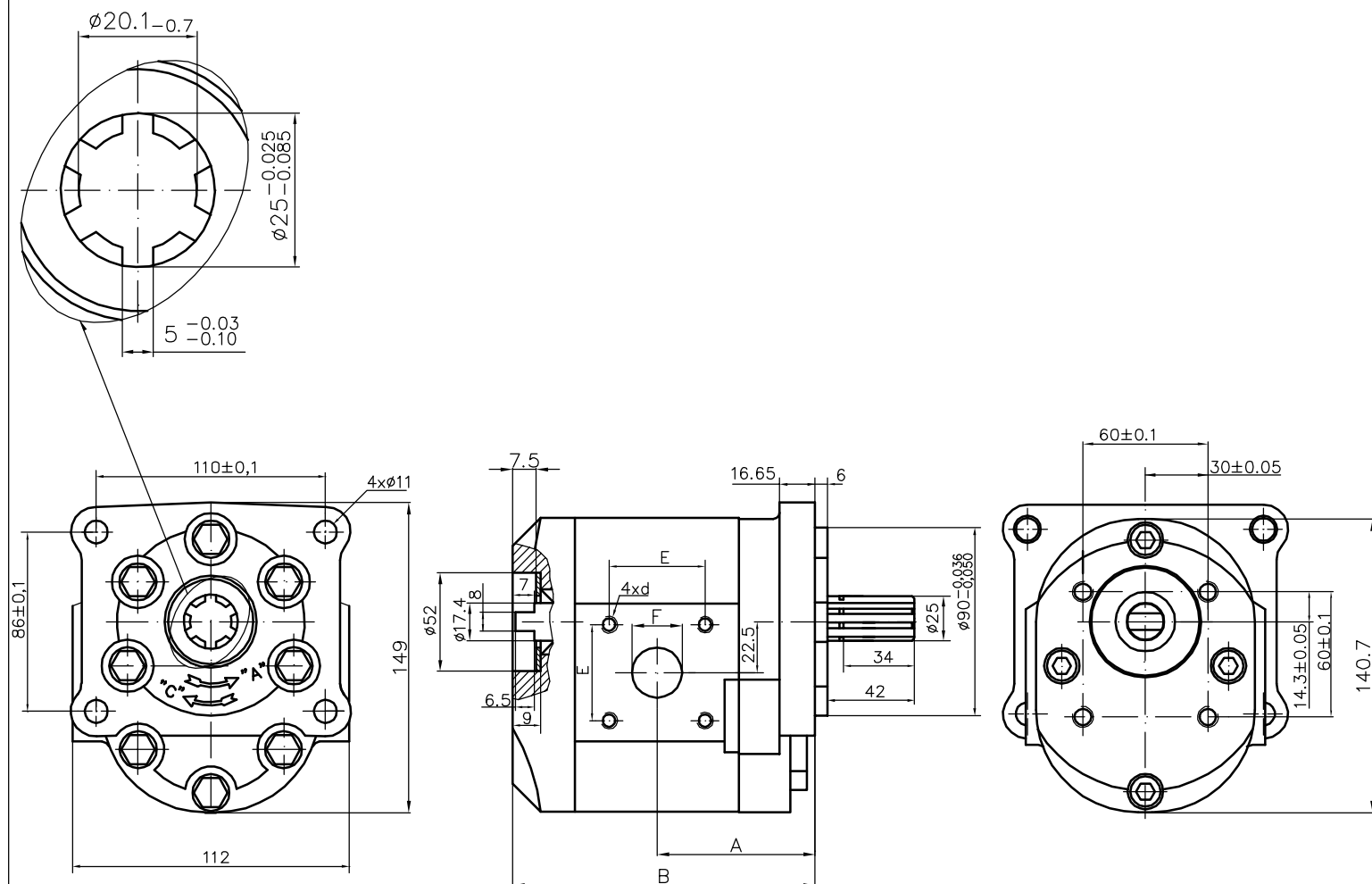
Usually connected with second section pumps type 20A(C)...X066; 20A(C)...X077 and others with central diameter $\phi 52$.



Type	Displacement cm ³ /rev	Flow		Pressure P _{nom} bar	max Speed n rpm	Dimension							
		at 1500 rpm l/min	at max rpm l/min			A mm	B mm	Inlet		Outlet			
								E	d	F	E	d	F
30A(C)25X277	24,5	34,5	69,1	200	3000	72,5	138,2	46	M8	20	46	M8	20
30A(C)32X277	32	45,1	75,2	200	2500	76,0	145,4	46	M8	22	46	M8	22
30A(C)32X277H	32	45,1	75,2	200	2500	76,0	154,4						
30A(C)46X277	46	65,6	100,5	190	2300	72,5	149,4	54	M10	27	54	M10	27
30A(C)46X277H	46	65,6	100,5	190	2300	72,5	158,4						
30A(C)50X277	50	71,3	99,8	175	2100	72,5	153,0						
30A(C)50X277H	50	71,3	99,8	175	2100	72,5	162,0						

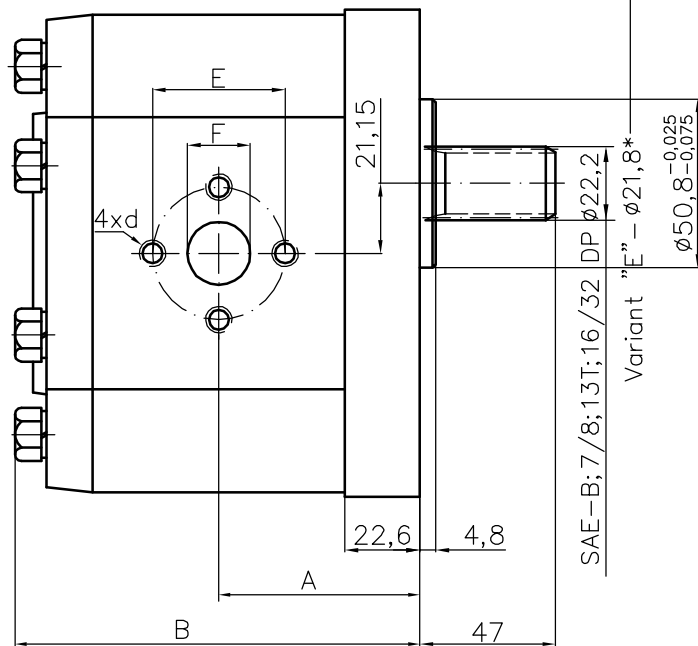
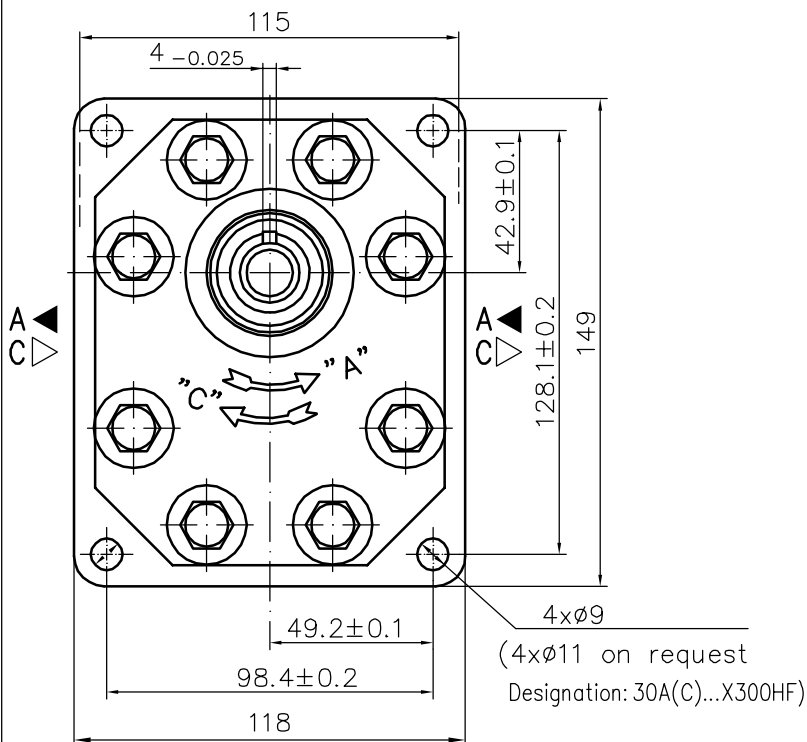
Designed as a first section of multiple pumps group 32.

Connected with second section pumps type 20A(C)...X066; 20A(C)...X077 and others with central diameter $\phi 52$.



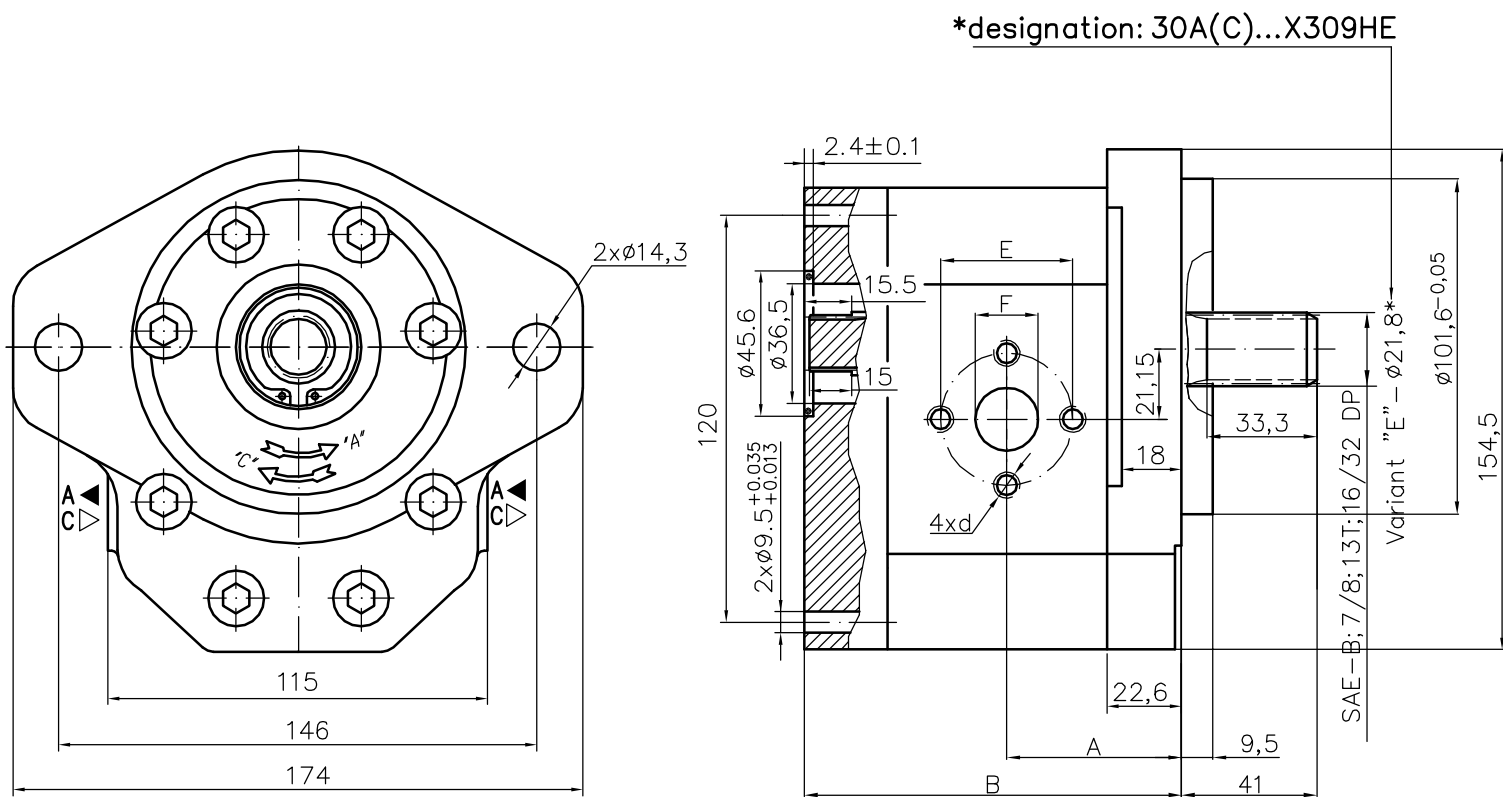
Type	Displacement cm ³ /rev	Flow		Pressure P _{nom} bar	max Speed n rpm	Dimension							
		at 1500 rpm l/min	at max rpm l/min			Inlet		Outlet					
						A mm	B mm	E	d	F	E	d	F
30A(C)25X277Y	24,5	34,5	69,1	200	3000	64,0	129,7	46	M8	20	46	M8	20
30A(C)32X277Y	32	45,1	75,2	200	2500	67,6	136,9	46	M8	22	46	M8	22
30A(C)46X277Y	46	65,6	100,5	190	2300	72,5	149,4						
30A(C)50X277Y	50	71,3	99,8	175	2100	72,5	153,0	54	M10	27	54	M10	27

*designation: 30A(C)...X300HE

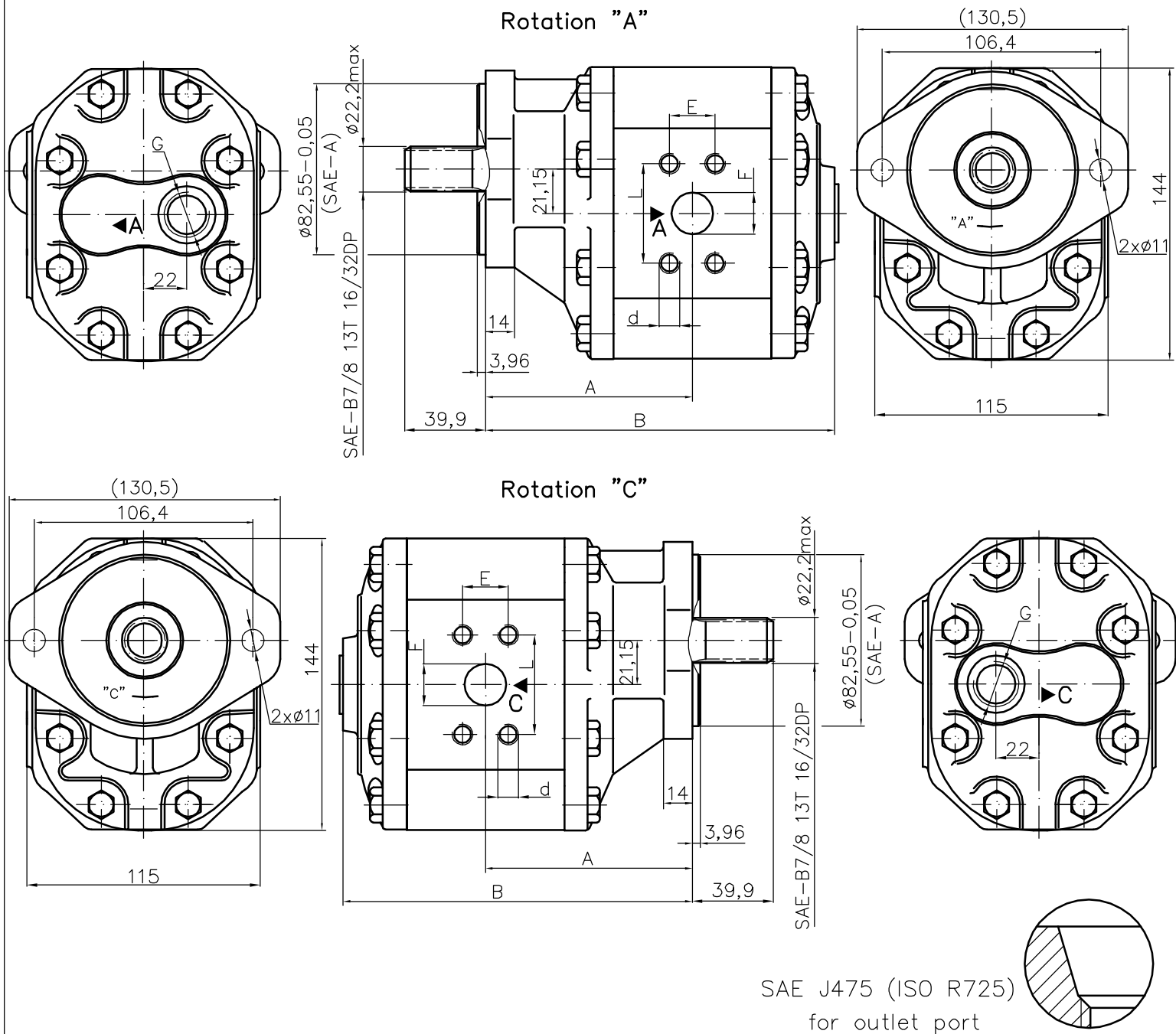


Type	Displacement cm ³ /rev	Flow		Pressure P _{nom} bar	max Speed n rpm	Dimension								
		at 1500 rpm l/min	at max rpm l/min			A mm	B mm	Inlet			Outlet			
								E	d	F	E	d	F	
30A(C)20X300H	20	28,2	56,4	250	3000	56,1	116,7	40	M8	19	40	M8	19	
30A(C)22,2X300H	22,5	31,7	63,5	250	3000	57,6	119,7							
30A(C)25X300H	25	35,3	70,5	250	3000	58,3	121,1							
30A(C)28X300H	28	39,5	79,0	250	3000	60,2	124,7							
30A(C)32X300	32	45,1	75,2	250	2500	62,0	128,3							
30A(C)32X300H	32	45,1	90,2	250	3000	66,5	137,3	51	M10	27	40	M8	19	
30A(C)36X300	36	50,8	84,6	250	2500	63,5	131,4							
30A(C)36X300H	36	51,3	95,8	250	2800	68,0	140,5							
30A(C)42X300	42	59,9	91,8	230	2300	66,3	137,0							
30A(C)42X300H	42	59,9	99,8	230	2500	70,8	146,1							
30A(C)46X300H	46	65,6	100,5	230	2300	72,7	149,8	51	M10	27	40	M8	19	
30A(C)50X300H	50	71,3	99,8	200	2100	74,5	153,4							
30A(C)55X300H	55	78,4	91,4	200	1750	76,7	157,9							
30A(C)60X300H	60	85,5	99,8	180	1750	78,7	162,4							

Designed as a first section of multiple gear pumps group 33.

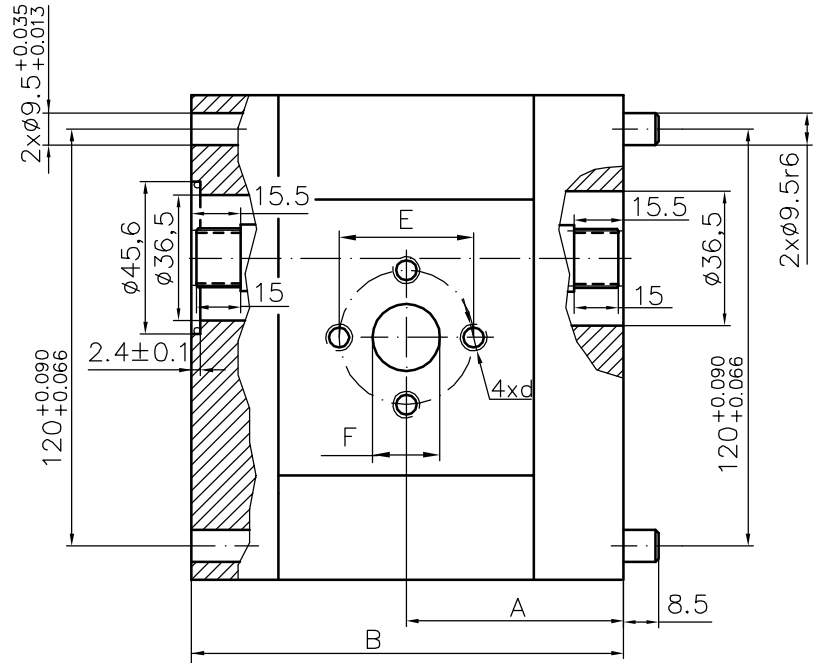
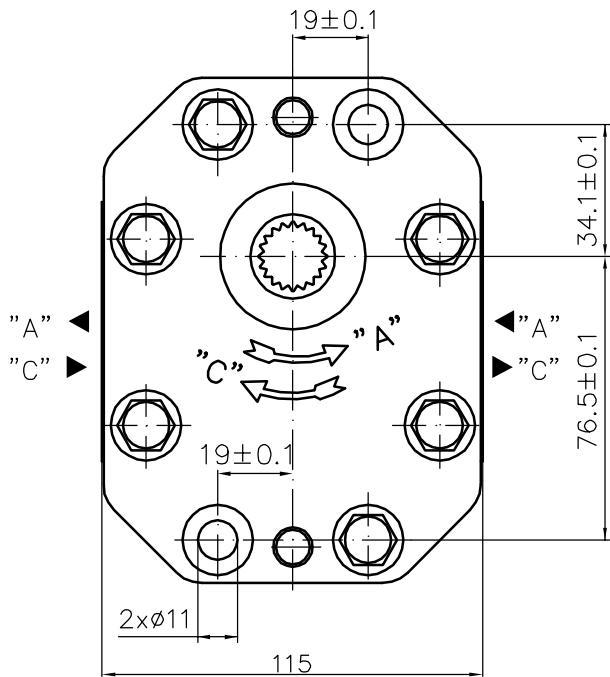


Type	Displacement cm ³ /rev	Flow		Pressure P _{nom} bar	max Speed n rpm	Dimension							
		at 1500 rpm l/min	at max rpm l/min			A mm	B mm	Inlet		Outlet			
								E	d	F	E	d	F
30A(C)20X309H	20	28,2	56,4	250	3000	56,1	114,7	40	M8	19	40	M8	19
30A(C)22,5X309H	22,5	31,7	63,5	250	3000	57,6	117,7						
30A(C)25X309H	25	35,3	70,5	250	3000	58,3	119,1						
30A(C)28X309H	28	39,5	79,0	250	3000	60,2	122,7						
30A(C)32X309	32	45,1	75,2	250	2500	62,0	126,3	51	M10	27	40	M8	19
30A(C)32X309H	32	45,1	90,2	250	3000	66,5	135,3						
30A(C)36X309	36	50,8	84,6	250	2500	63,5	129,4						
30A(C)36X309H	36	51,3	95,8	250	2800	68,0	138,5						
30A(C)42X309	42	59,9	91,8	230	2300	66,3	135,0	51	M10	27	40	M8	19
30A(C)42X309H	42	59,9	99,8	230	2500	70,8	144,0						
30A(C)46X309H	46	65,6	100,5	210	2300	72,7	147,8						
30A(C)50X309H	50	71,3	99,8	185	2100	74,5	151,4						
30A(C)55X309H	55	78,4	91,4	165	1750	76,7	155,9	51	M10	27	40	M8	19
30A(C)60X309H	60	85,5	99,8	150	1750	78,7	160,4						



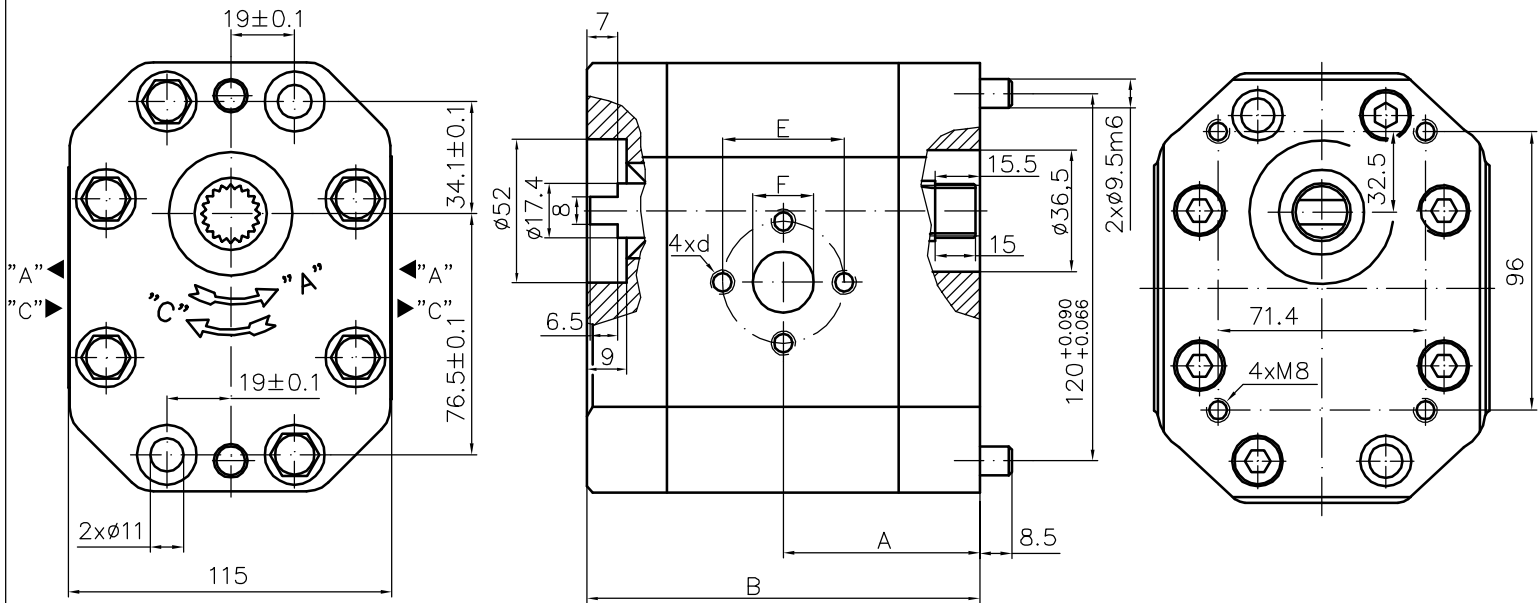
Type	Displacement cm ³ /rev	Flow		Pressure P _{nom} bar	max Speed n rpm	Dimension								
		at 1500 rpm l/min	at max rpm l/min			A mm	B mm	Inlet				Outlet		
						E	d	F	L					
30A(C)20X323H	20	28,2	56,4	250	3000	95,1	152,3							
30A(C)22,2X323H	22,5	31,7	63,5	250	3000	96,8	155,4							
30A(C)25X323H	25	35,3	70,5	250	3000	97,4	156,8							
30A(C)28X323H	28	39,5	79,0	250	3000	99,1	160,2							
30A(C)32X323	32	45,1	75,2	250	2500	101,0	163,8	52,4	M8	27	26,2			
30A(C)32X323H	32	45,1	90,2	250	3000	105,5	172,8	52,4	M8	27	26,2			
30A(C)36X323	36	50,8	84,6	250	2500	102,7	166,9							
30A(C)36X323H	36	51,3	95,8	250	2800	107,2	175,9							
30A(C)42X323	42	59,9	91,8	230	2300	105,3	172,5							
30A(C)42X323H	42	59,9	99,8	230	2500	109,8	181,5							
30A(C)46X323H	46	65,6	100,5	230	2300	111,7	186,3							
30A(C)50X323H	50	71,3	99,8	200	2100	113,5	188,9	35,6	M8	32	69,8			
30A(C)55X323H	55	78,4	91,4	200	1750	115,7	193,4	35,6	M8	32	69,8			
30A(C)60X323H	60	85,5	99,8	180	1750	118,0	197,9							

Designed as a middle section of multiple gear pumps group 333.

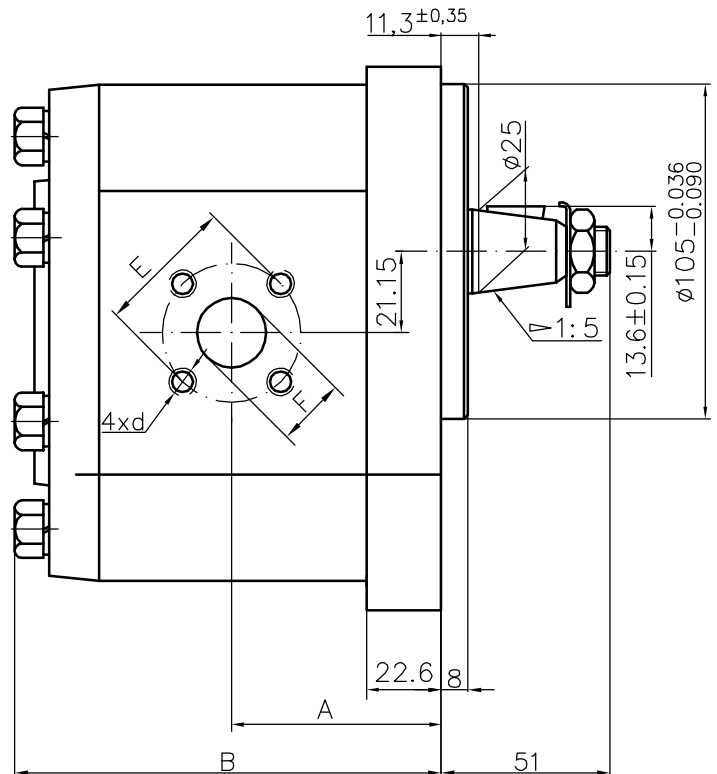
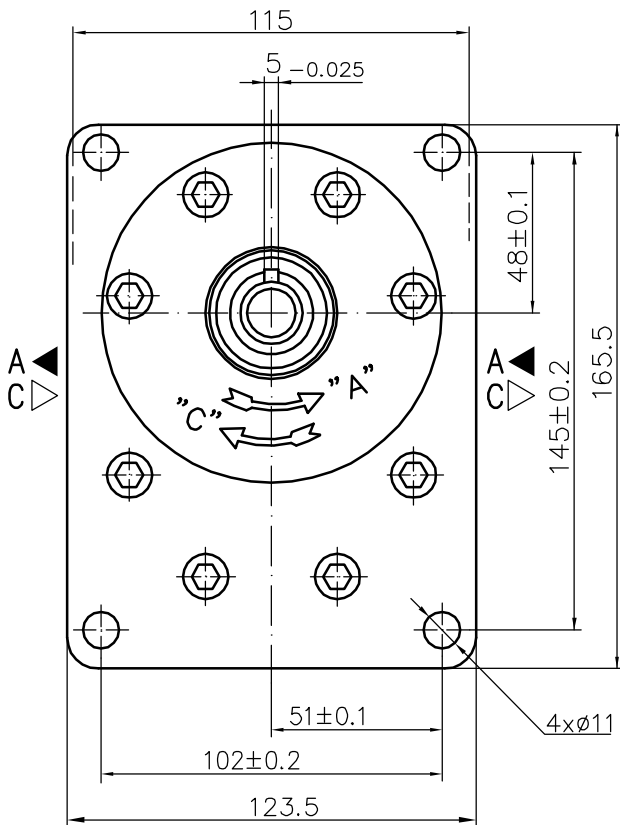


Type	Displacement cm ³ /rev	Flow		Pressure P _{nom} bar	max Speed n rpm	Dimension							
		at 1500 rpm l/min	at max rpm l/min			A mm	B mm	Inlet			Outlet		
								E	d	F	E	d	F
30A(C)20X324H	20	28,2	56,4	250	3000	58,5	117,1	40	M8	19	40	M8	19
30A(C)22,2X324H	22,5	31,7	63,5	250	3000	60,0	120,1						
30A(C)25X324H	25	35,3	70,5	250	3000	60,8	121,5						
30A(C)28X324H	28	39,5	79,0	250	3000	62,5	125,1						
30A(C)32X324H	32	45,1	90,2	250	3000	68,8	137,7	51	M10	27	40	M8	19
30A(C)36X324H	36	51,3	95,8	250	2800	70,5	140,9						
30A(C)42X324H	42	59,9	99,8	230	2500	73,2	146,5						
30A(C)46X324H	46	65,6	100,5	230	2300	75,1	150,2						
30A(C)50X324H	50	71,3	99,8	200	2100	76,9	153,8	51	M10	27	40	M8	19
30A(C)55X324H	55	78,4	91,4	200	1750	79,1	158,3						
30A(C)60X324H	60	85,5	99,8	180	1750	81,4	162,8						

Designed as a middle section of multiple gear pumps group 332.

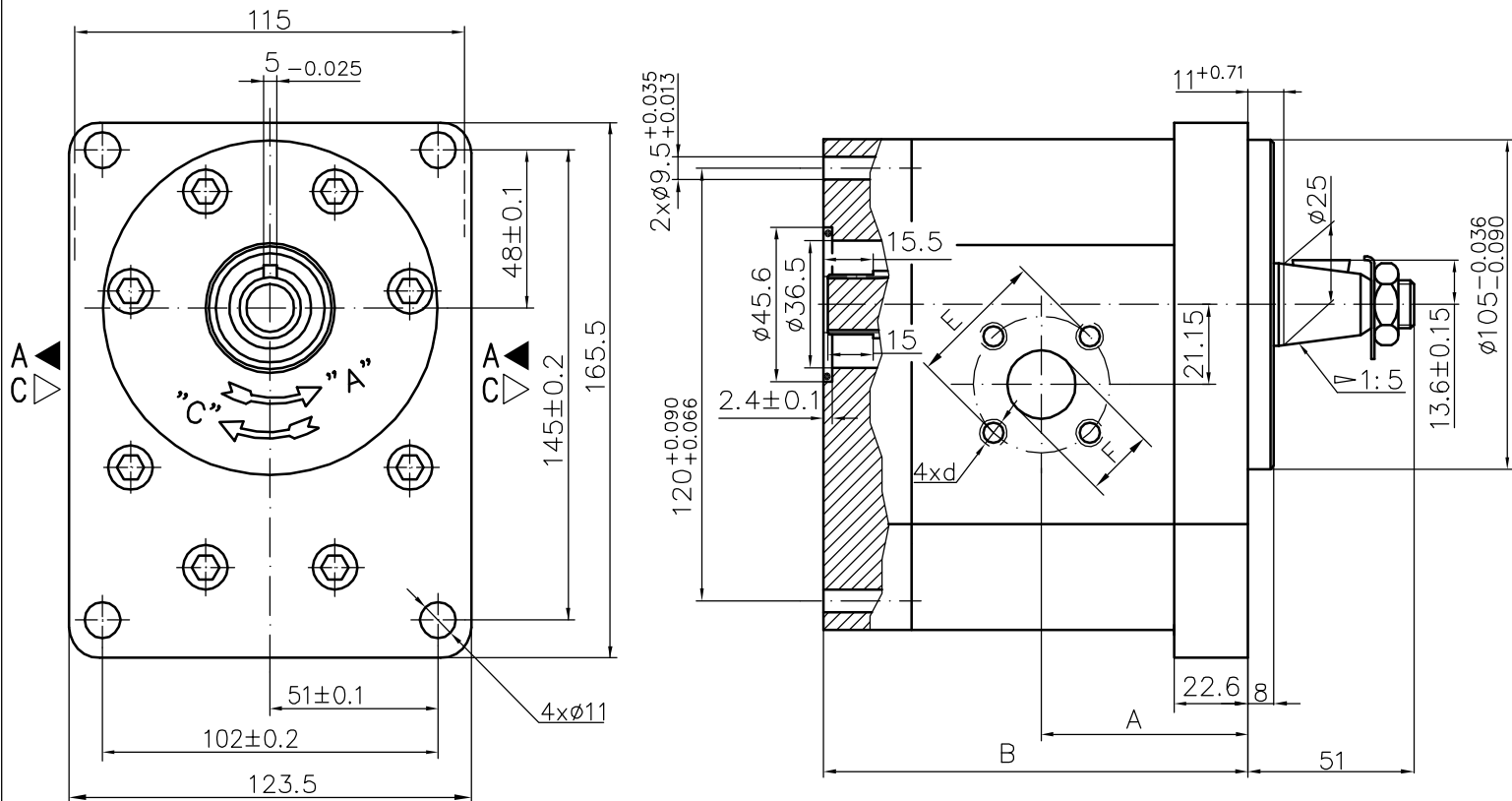


Type	Displacement cm ³ /rev	Flow		Pressure P _{nom} bar	max Speed n rpm	Dimension								
		at 1500 rpm l/min	at max rpm l/min			Inlet		Outlet						
						A mm	B mm	E	d	F	E	d	F	
30A(C)20X325H	20	28,2	56,4	250	3000	58,5	117,1	40	M8	19	40	M8	19	
30A(C)22,2X325H	22,5	31,7	63,5	250	3000	60,0	120,1							
30A(C)25X325H	25	35,3	70,5	250	3000	60,8	121,5							
30A(C)28X325H	28	39,5	79,0	250	3000	62,5	125,1							
30A(C)32X325	32	45,1	75,2	250	2500	64,2	128,5							
30A(C)32X325H	32	45,1	90,2	250	3000	68,8	137,7	51	M10	27	40	M8	19	
30A(C)36X325	36	50,8	84,6	250	2500	65,7	131,6							
30A(C)36X325H	36	51,3	95,8	250	2800	70,5	140,9							
30A(C)42X325	42	59,9	91,8	230	2300	68,5	137,2							
30A(C)42X325H	42	59,9	99,8	230	2500	73,2	146,5							
30A(C)46X325H	46	65,6	100,5	230	2300	75,1	150,2	51	M10	27	40	M8	19	
30A(C)50X325H	50	71,3	99,8	200	2100	76,9	153,8							
30A(C)55X325H	55	78,4	91,4	200	1750	79,1	158,3							
30A(C)60X325H	60	85,5	99,8	180	1750	81,4	162,8							



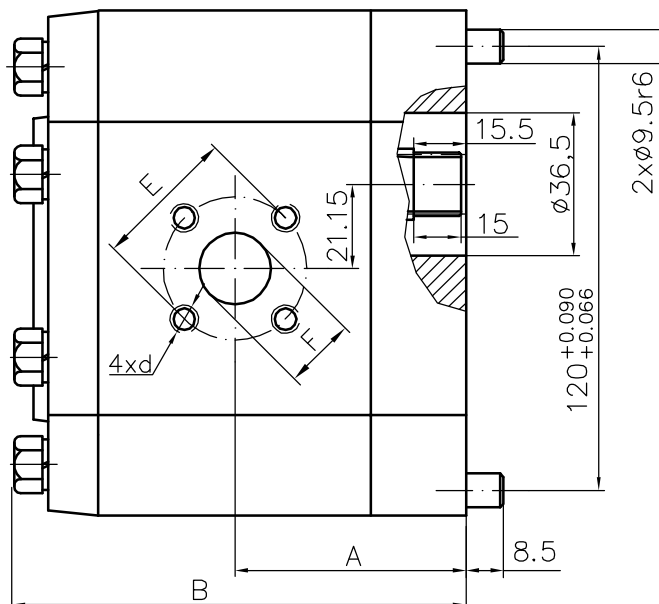
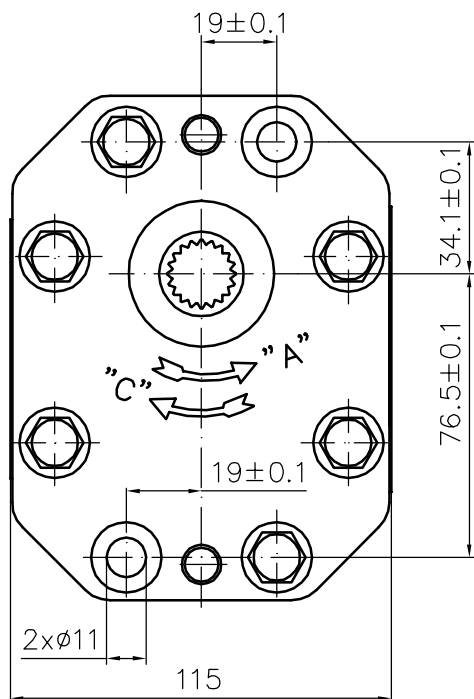
Type	Displacement cm ³ /rev	Flow		Pressure P _{nom} bar	max Speed n rpm	Dimension								
		at 1500 rpm l/min	at max rpm l/min			A mm	B mm	Inlet			Outlet			
								E	d	F	E	d	F	
30A(C)20X337H	20	28,2	56,4	250	3000	56,1	116,7	40	M8	19	40	M8	19	
30A(C)22,2X337H	22,5	31,7	63,5	250	3000	57,6	119,7							
30A(C)25X337H	25	35,3	70,5	250	3000	58,3	121,1							
30A(C)28X337H	28	39,5	79,0	250	3000	60,2	124,7							
30A(C)32X337	32	45,1	75,2	250	2500	62,0	128,3							
30A(C)32X337H	32	45,1	90,2	250	3000	66,5	137,3	55	M8	27	55	M8	19	
30A(C)36X337	36	50,8	84,6	250	2500	63,5	131,4							
30A(C)36X337H	36	51,3	95,8	250	2800	68,0	140,5							
30A(C)42X337	42	59,9	91,8	230	2300	66,3	137,0							
30A(C)42X337H	42	59,9	99,8	230	2500	70,8	146,1							
30A(C)46X337H	46	65,6	100,5	230	2300	72,7	149,8	55	M8	27	55	M8	19	
30A(C)50X337H	50	71,3	99,8	200	2100	74,5	153,4							
30A(C)55X337H	55	78,4	91,4	200	1750	76,7	157,9							
30A(C)60X337H	60	85,5	99,8	180	1750	78,7	162,4							

Designed as a first section of multiple pumps group 33.

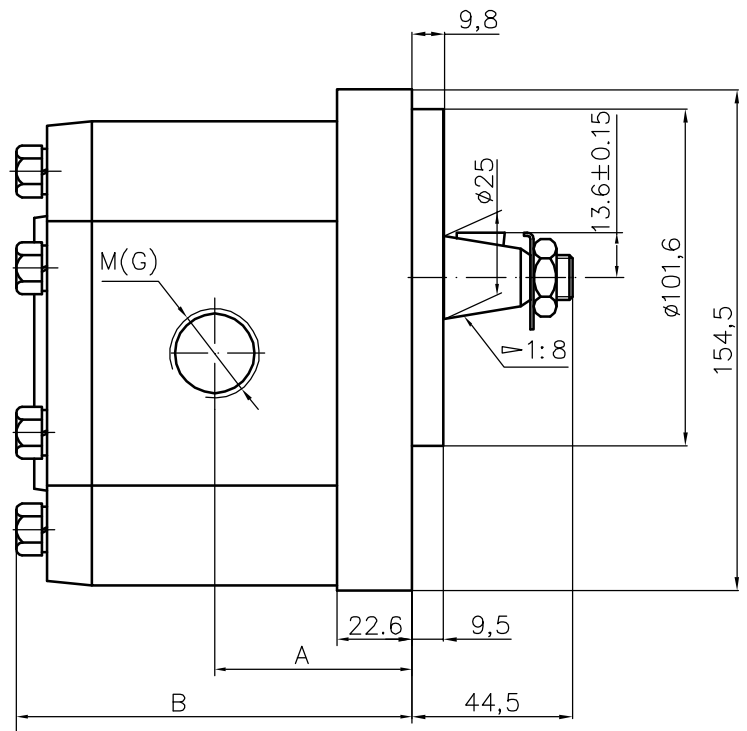
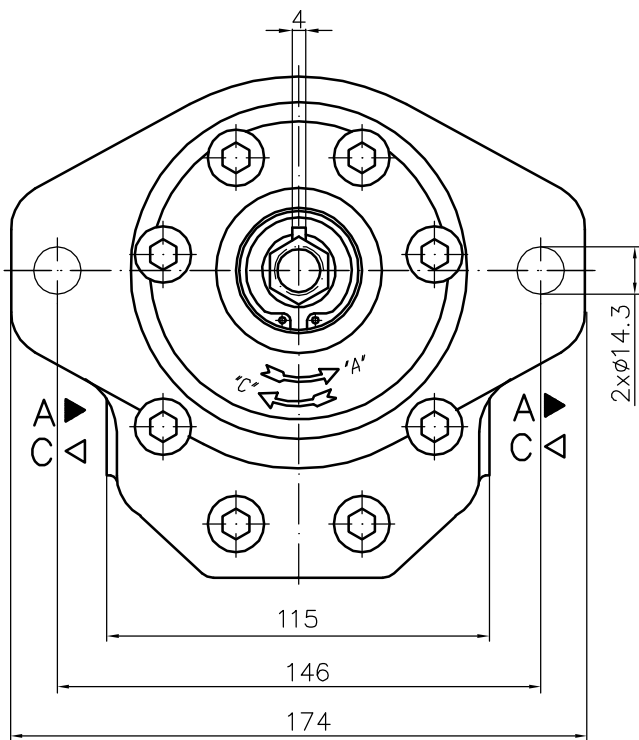


Type	Displacement cm ³ /rev	Flow		Pressure P _{nom} bar	max Speed n rpm	Dimension							
		at 1500 rpm l/min	at max rpm l/min			A mm	B mm	Inlet			Outlet		
								E	d	F	E	d	F
30A(C)20X338H	20	28,2	56,4	250	3000	56,1	114,7	40	M8	19	40	M8	19
30A(C)22,2X338H	22,5	31,7	63,5	250	3000	57,6	117,7						
30A(C)25X338H	25	35,3	70,5	250	3000	58,3	119,1						
30A(C)28X338H	28	39,5	79,0	250	3000	60,2	122,7						
30A(C)32X338	32	45,1	75,2	250	2500	62,0	126,3	55	M8	27	55	M8	19
30A(C)32X338H	32	45,1	90,2	250	3000	66,5	135,3						
30A(C)36X338	36	50,8	84,6	250	2500	63,5	129,4						
30A(C)36X338H	36	51,3	95,8	250	2800	68,0	138,5						
30A(C)42X338	42	59,9	91,8	230	2300	66,3	135,0	55	M8	27	55	M8	19
30A(C)42X338H	42	59,9	99,8	230	2500	70,8	144,0						
30A(C)46X338H	46	65,6	100,5	230	2300	72,7	147,8						
30A(C)50X338H	50	71,3	99,8	200	2100	74,5	151,4						
30A(C)55X338H	55	78,4	91,4	200	1750	76,7	155,9	55	M8	27	55	M8	19
30A(C)60X338H	60	85,5	99,8	180	1750	78,7	160,4						

Designed as a second section of multiple gear pumps group 33.

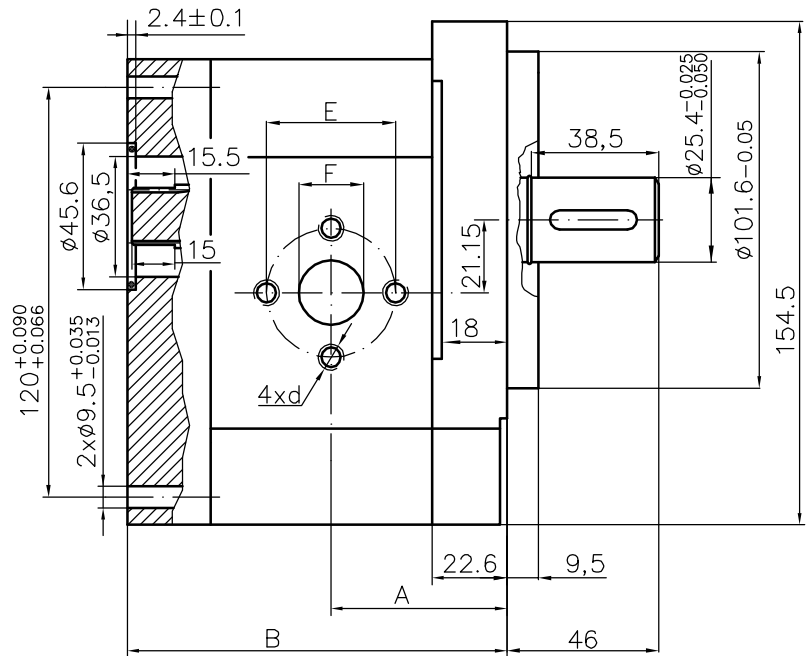
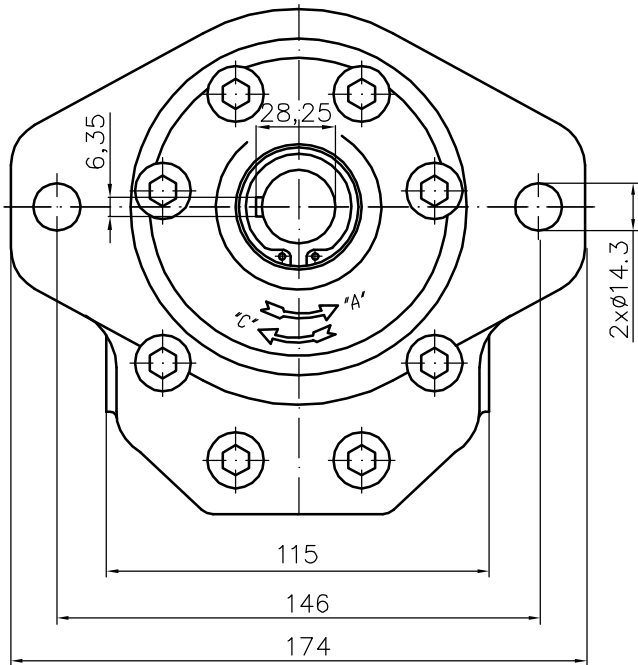


Type	Displacement cm ³ /rev	Flow		Pressure P _{nom} bar	max Speed n rpm	Dimension							
		at 1500 rpm l/min	at max rpm l/min			A mm	B mm	Inlet			Outlet		
								E	d	F	E	d	F
30A(C)20X339H	20	28,2	56,4	250	3000	58,5	118,9	40	M8	19	40	M8	19
30A(C)22,2X339H	22,5	31,7	63,5	250	3000	60,0	121,9						
30A(C)25X339H	25	35,3	70,5	250	3000	60,8	123,3						
30A(C)28X339H	28	39,5	79,0	250	3000	62,5	126,9						
30A(C)32X339	32	45,1	75,2	250	2500	64,2	130,5	55	M8	27	55	M8	19
30A(C)32X339H	32	45,1	90,2	250	3000	68,8	139,5						
30A(C)36X339	36	50,8	84,6	250	2500	65,7	133,6						
30A(C)36X339H	36	51,3	95,8	250	2800	70,5	142,7						
30A(C)42X339	42	59,9	91,8	230	2300	68,5	139,2	55	M8	27	55	M8	19
30A(C)42X339H	42	59,9	99,8	230	2500	73,2	148,3						
30A(C)46X339H	46	65,6	100,5	230	2300	75,1	152,0						
30A(C)50X339H	50	71,3	99,8	200	2100	76,9	155,6						
30A(C)55X339H	55	78,4	91,4	200	1750	79,1	160,1	55	M8	27	55	M8	19
30A(C)60X339H	60	85,5	99,8	180	1750	81,4	164,6						

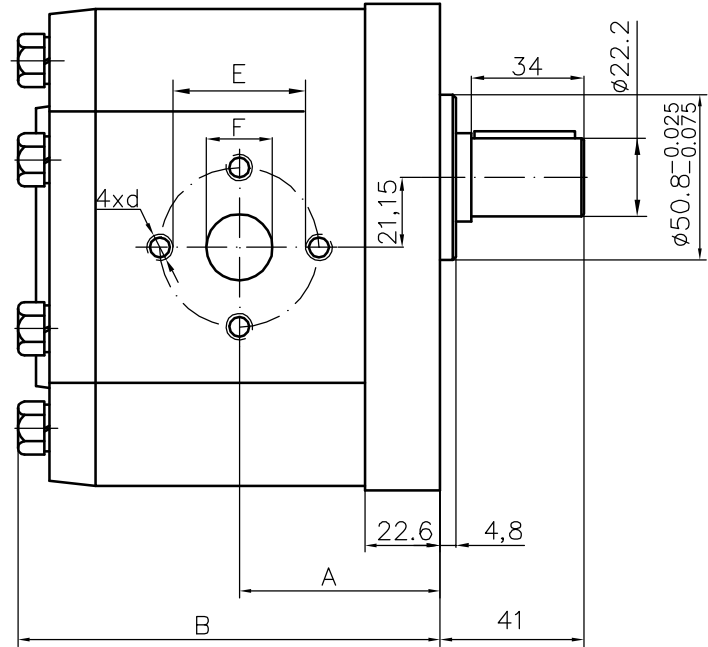
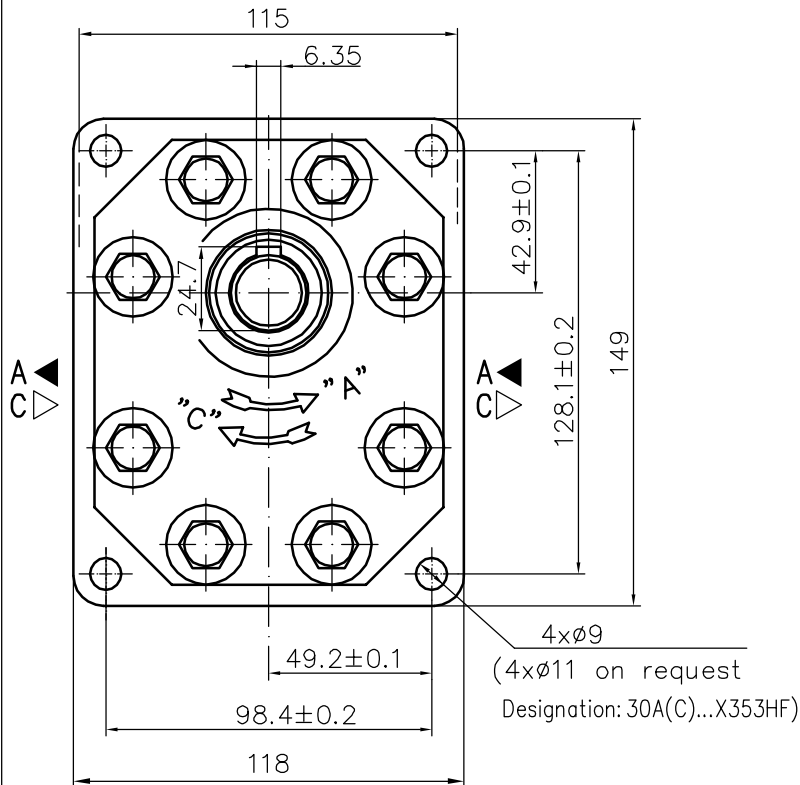


Type	Displacement cm ³ /rev	Flow		Pressure P _{nom} bar	max Speed n rpm	Dimension						
		at 1500 rpm l/min	at max rpm l/min			A mm	B mm	Inlet		Outlet		
								M	G		M	G
30A(C)20X344H	20	28,2	56,4	250	3000	56,1	116,7	M27x1,5	G3/4"-A			
30A(C)22,2X344H	22,5	31,7	63,5	250	3000	57,6	119,7					
30A(C)25X344H	25	35,3	70,5	250	3000	58,3	121,1					
30A(C)28X344H	28	39,5	79,0	250	3000	60,2	124,7					
30A(C)32X344	32	45,1	75,2	250	2500	62,0	128,3					
30A(C)32X344H	32	45,1	90,2	250	3000	66,5	137,3	M33x1,5	G1"-A	M27x1,5	G3/4"-A	
30A(C)36X344	36	50,8	84,6	250	2500	63,5	131,4					
30A(C)36X344H	36	51,3	95,8	250	2800	68,0	140,5					
30A(C)42X344	42	59,9	91,8	230	2300	66,3	137,0					
30A(C)42X344H	42	59,9	99,8	230	2500	70,8	146,1					
30A(C)46X344H	46	65,6	100,5	230	2300	72,7	149,8					
30A(C)50X344H	50	71,3	99,8	200	2100	74,5	153,4					
30A(C)55X344H	55	78,4	91,4	200	1750	76,7	157,9					
30A(C)60X344H	60	85,5	99,8	180	1750	78,7	162,4					

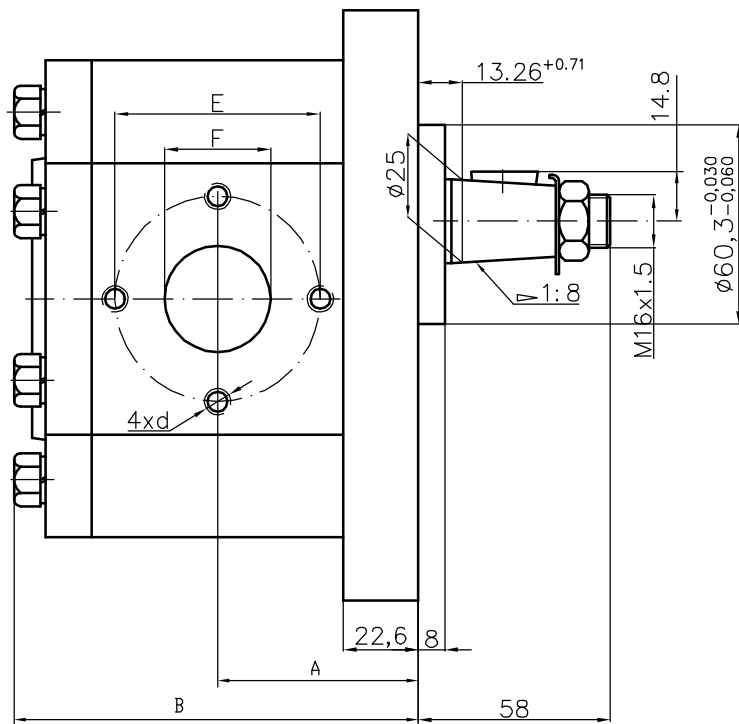
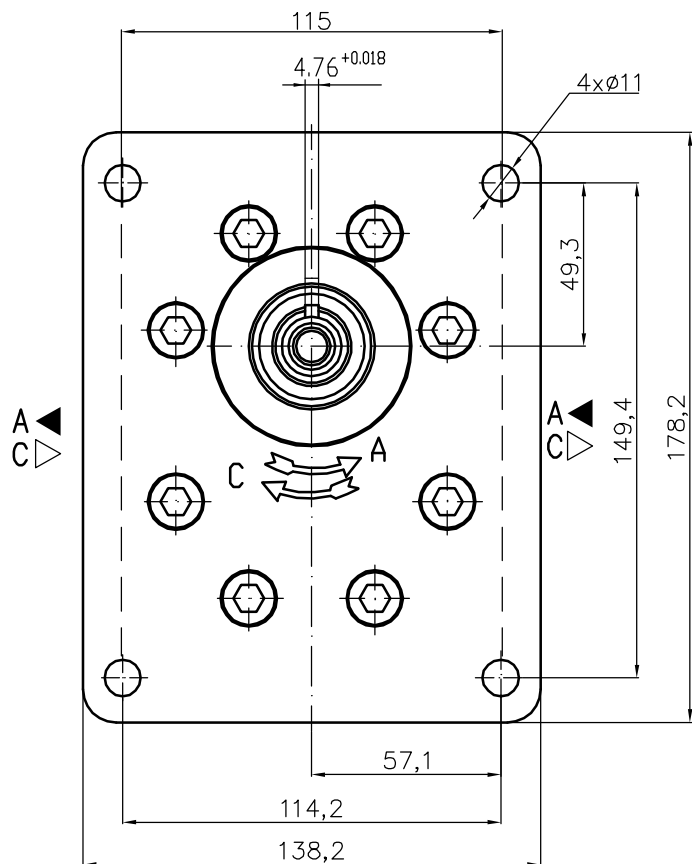
Designed as a first section of multiple gear pumps group 33.



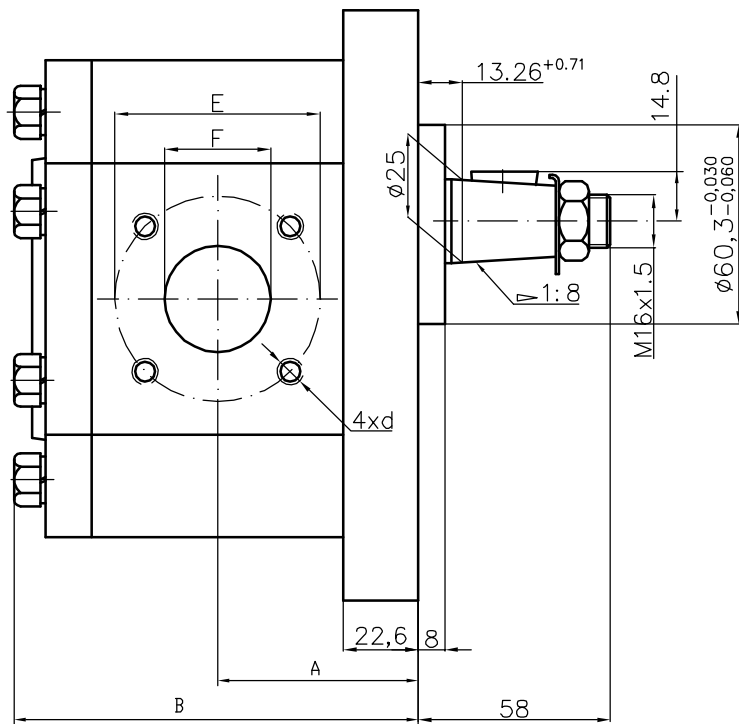
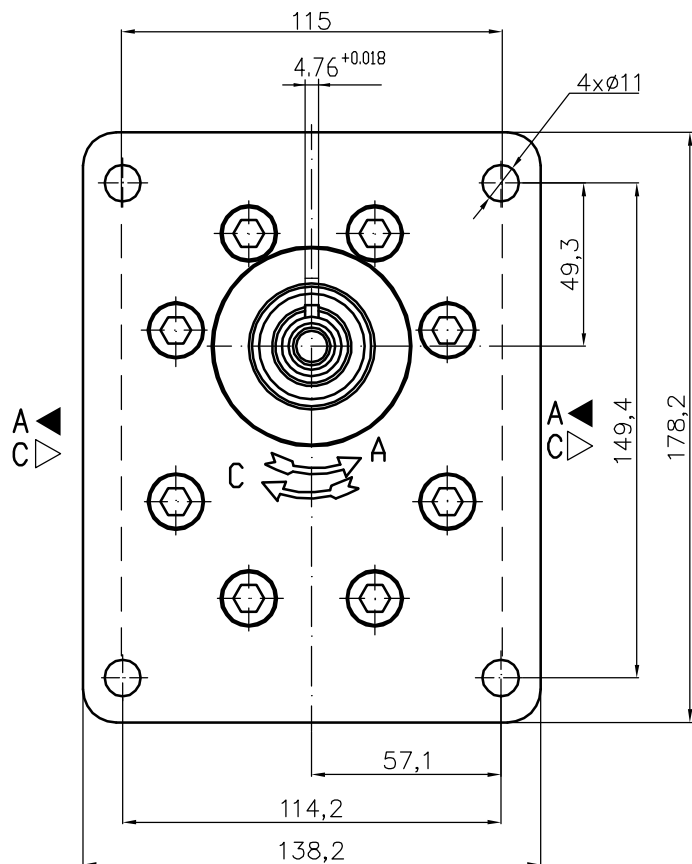
Type	Displacement cm ³ /rev	Flow		Pressure P _{nom} bar	max Speed n rpm	Dimension							
		at 1500 rpm l/min	at max rpm l/min			A mm	B mm	Inlet			Outlet		
								E	d	F	E	d	F
30A(C)20X345H	20	28,2	56,4	250	3000	56,1	116,7	40	M8	19	40	M8	19
30A(C)22,2X345H	22,5	31,7	63,5	250	3000	57,6	119,7						
30A(C)25X345H	25	35,3	70,5	250	3000	58,3	121,1						
30A(C)28X345H	28	39,5	79,0	250	3000	60,2	124,7						
30A(C)32X345	32	45,1	75,2	250	2500	62,0	128,3						
30A(C)32X345H	32	45,1	90,2	250	3000	66,5	137,3						
30A(C)36X345	36	50,8	84,6	250	2500	63,5	131,4	51	M10	27	40	M8	19
30A(C)36X345H	36	51,3	95,8	250	2800	68,0	140,5						
30A(C)42X345	42	59,9	91,8	230	2300	66,3	137,0						
30A(C)42X345H	42	59,9	99,8	230	2500	70,8	146,1						
30A(C)46X345H	46	65,6	100,5	230	2300	72,7	149,8						
30A(C)50X345H	50	71,3	99,8	200	2100	74,5	153,4						
30A(C)55X345H	55	78,4	91,4	200	1750	76,7	157,9	78,7	162,4				
30A(C)60X345H	60	85,5	99,8	180	1750								



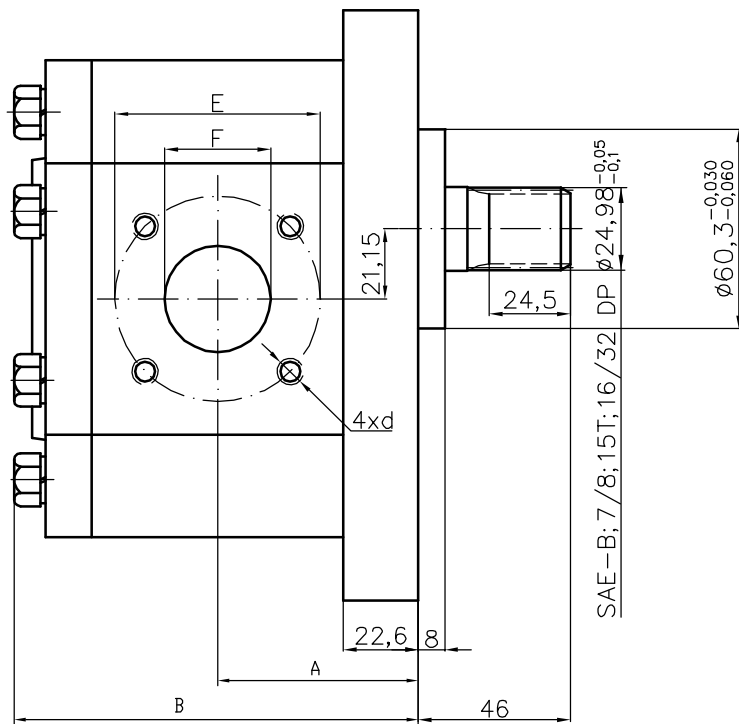
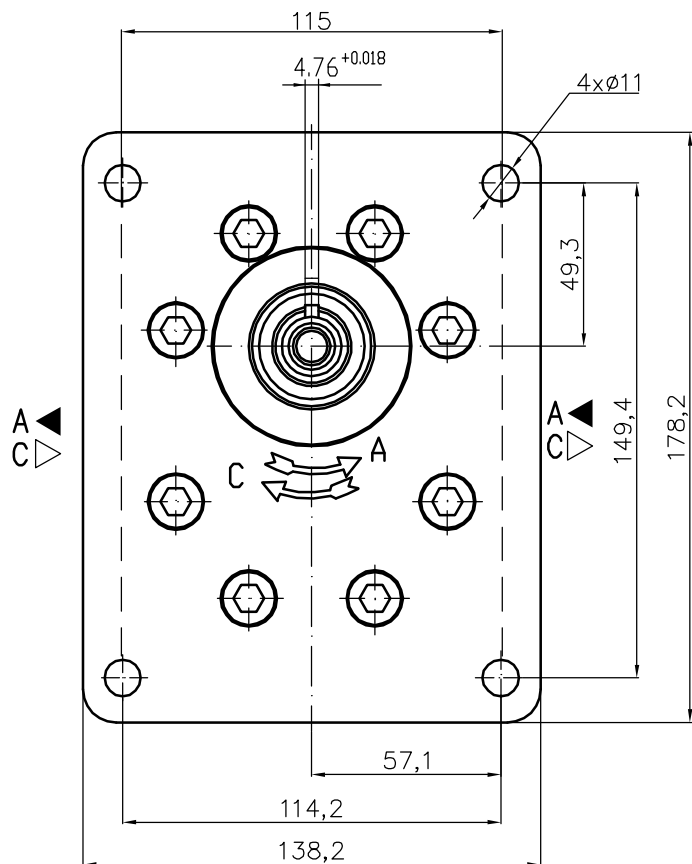
Type	Displacement cm ³ /rev	Flow		Pressure P _{nom} bar	max Speed n rpm	Dimension								
		at 1500 rpm l/min	at max rpm l/min			A mm	B mm	Inlet			Outlet			
								E	d	F	E	d	F	
30A(C)20X353H	20	28,2	56,4	250	3000	56,1	116,7	40	M8	19	40	M8	19	
30A(C)22,2X353H	22,5	31,7	63,5	250	3000	57,6	119,7							
30A(C)25X353H	25	35,3	70,5	250	3000	58,3	121,1							
30A(C)28X353H	28	39,5	79,0	250	3000	60,2	124,7							
30A(C)32X353	32	45,1	75,2	250	2500	62,0	128,3							
30A(C)32X353H	32	45,1	90,2	250	3000	66,5	137,3	51	M10	27	40	M8	19	
30A(C)36X353	36	50,8	84,6	250	2500	63,5	131,4							
30A(C)36X353H	36	51,3	95,8	250	2800	68,0	140,5							
30A(C)42X353	42	59,9	91,8	230	2300	66,3	137,0							
30A(C)42X353H	42	59,9	99,8	230	2500	70,8	146,1							
30A(C)46X353H	46	65,6	100,5	230	2300	72,7	149,8	51	M10	27	40	M8	19	
30A(C)50X353H	50	71,3	99,8	200	2100	74,5	153,4							
30A(C)55X353H	55	78,4	91,4	200	1750	76,7	157,9							
30A(C)60X353H	60	85,5	99,8	180	1750	78,7	162,4							



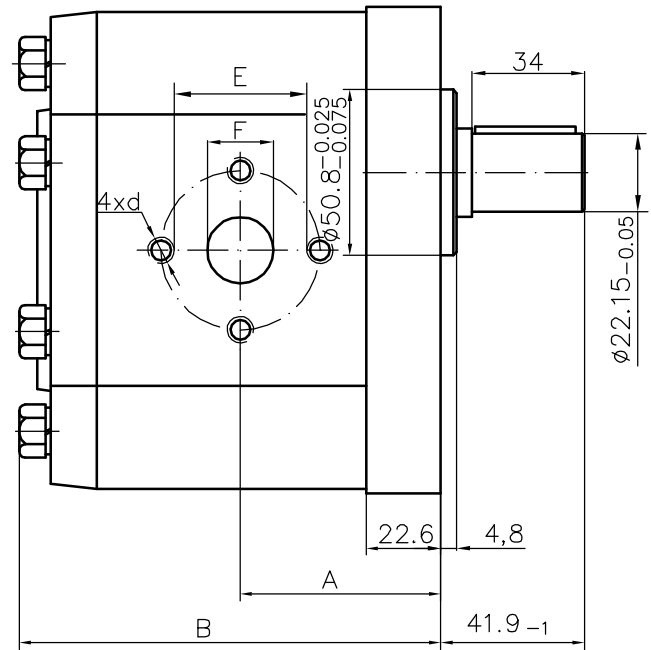
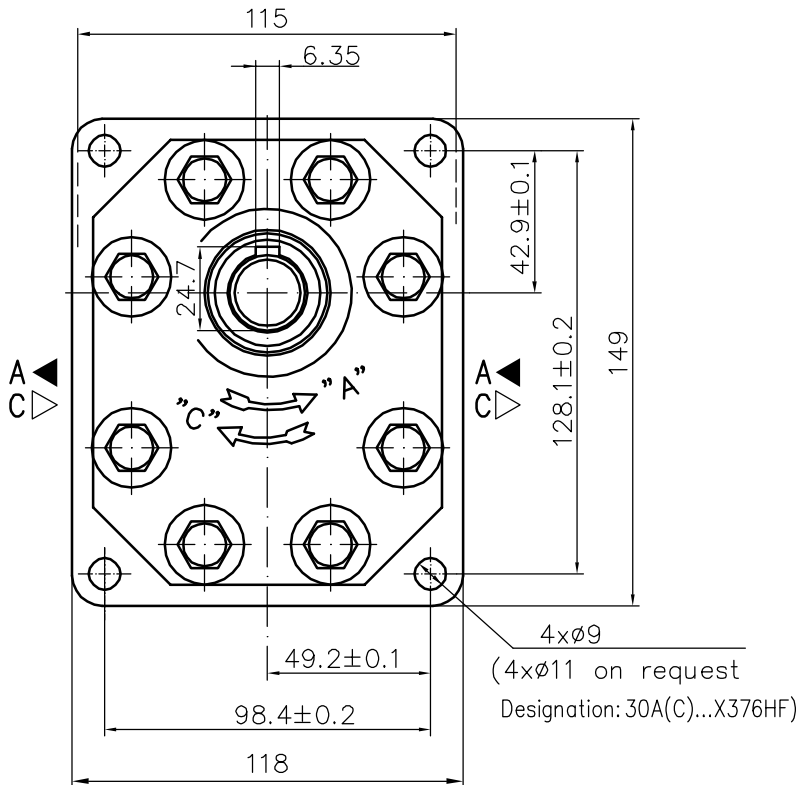
Type	Displacement cm ³ /rev	Flow		Pressure P _{nom} bar	max Speed n rpm	Dimension							
		at 1500 rpm l/min	at max rpm l/min			A mm	B mm	Inlet			Outlet		
								E	d	F	E	d	F
40A(C)36X371H	36	51,3	95,8	250	2800	68,0	140,5	62	3/8"-16UNC-2B	32	51	3/8"-16UNC-2B	27
40A(C)42X371H	42	59,9	99,8	230	2500	70,8	146,1						
40A(C)46X371H	46	65,6	100,5	230	2300	72,7	149,8						
40A(C)50X371H	50	71,3	99,8	200	2100	74,5	153,4						
40A(C)55X371H	55	78,4	91,4	200	1750	76,7	159,7						
40A(C)60X371H	60	85,5	99,8	180	1750	78,7	164,5						



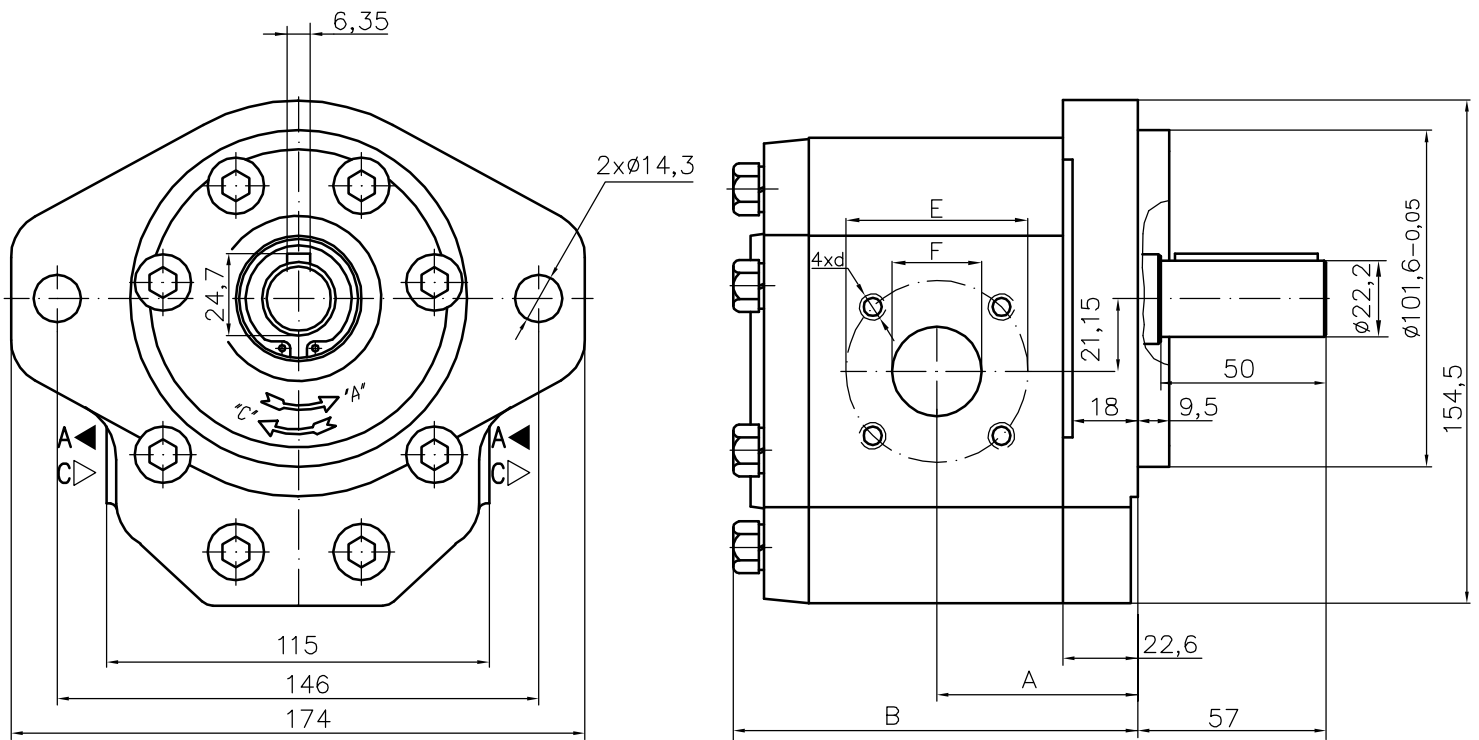
Type	Displacement cm ³ /rev	Flow		Pressure P _{nom} bar	max Speed n rpm	Dimension							
		at 1500 rpm l/min	at max rpm l/min			Inlet		Outlet					
						A mm	B mm	E mm	d mm	F mm	E mm	d mm	F mm
40A(C)36X372H	36	51,3	95,8	250	2800	68,0	140,5	62	3/8"-16UNC-2B	32	51	3/8"-16UNC-2B	27
40A(C)42X372H	42	59,9	99,8	230	2500	70,8	146,1						
40A(C)46X372H	46	65,6	100,5	230	2300	72,7	149,8						
40A(C)50X372H	50	71,3	99,8	200	2100	74,5	153,4						
40A(C)55X372H	55	78,4	91,4	200	1750	76,7	159,7						
40A(C)60X372H	60	85,5	99,8	180	1750	78,7	164,5						



Type	Displacement cm ³ /rev	Flow		Pressure P _{nom} bar	max Speed n rpm	Dimension							
		at 1500 rpm l/min	at max rpm l/min			A mm	B mm	Inlet			Outlet		
								E	d	F	E	d	F
40A(C)36X374H	36	51,3	95,8	250	2800	68,0	140,5	62	3/8"-16UNC-2B	32	51	3/8"-16UNC-2B	27
40A(C)42X374H	42	59,9	99,8	230	2500	70,8	146,1						
40A(C)46X374H	46	65,6	100,5	230	2300	72,7	149,8						
40A(C)50X374H	50	71,3	99,8	200	2100	74,5	153,4						
40A(C)55X374H	55	78,4	91,4	200	1750	76,7	159,7						
40A(C)60X374H	60	85,5	99,8	180	1750	78,7	164,5						

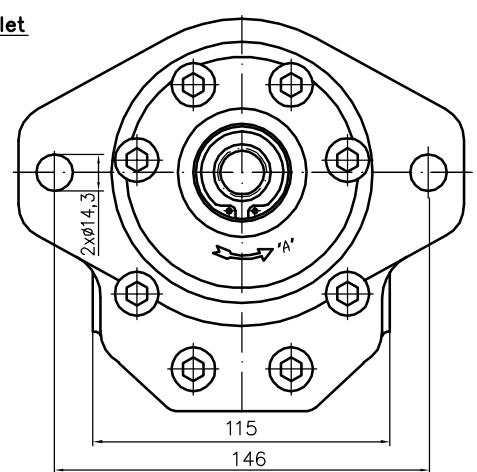
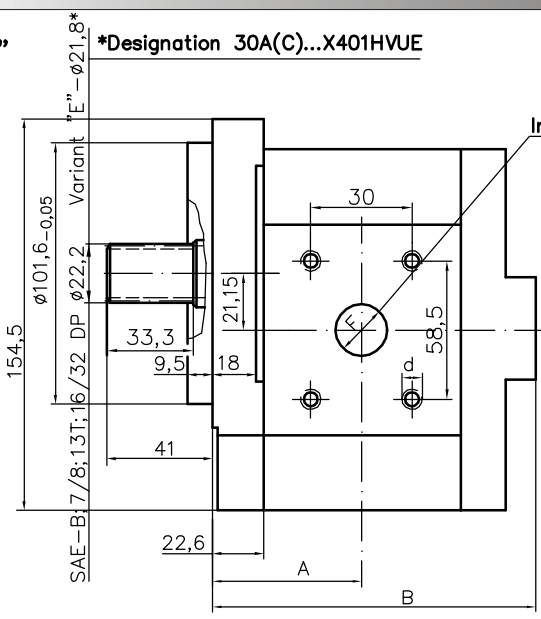
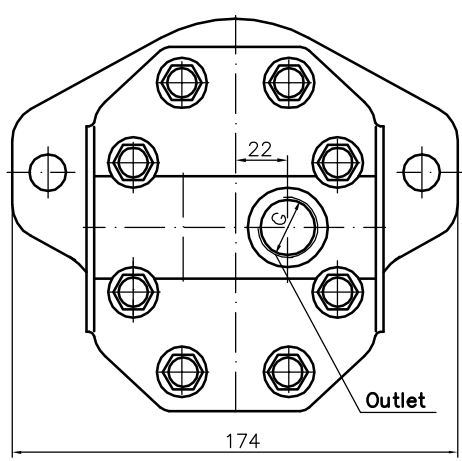


Type	Displacement cm ³ /rev	Flow		Pressure P _{nom} bar	max Speed n rpm	Dimension							
		at 1500 rpm l/min	at max rpm l/min			A mm	B mm	Inlet			Outlet		
								E	d	F	E	d	F
30A(C)20X376H	20	28,2	56,4	250	3000	56,1	116,7	48,12	5/16-18UNC-2B	22	48,12	5/16-18UNC-2B	20
30A(C)22,2X376H	22,5	31,7	63,5	250	3000	57,6	119,7						
30A(C)25X376H	25	35,3	70,5	250	3000	58,3	121,1						
30A(C)28X376H	28	39,5	79,0	250	3000	60,2	124,7						
30A(C)32X376	32	45,1	75,2	250	2500	62,0	128,3						
30A(C)32X376H	32	45,1	90,2	250	3000	66,5	137,3						
30A(C)36X376	36	50,8	84,6	250	2500	63,5	131,4						
30A(C)36X376H	36	51,3	95,8	250	2800	68,0	140,5						
30A(C)42X376	42	59,9	91,8	230	2300	66,3	137,0						
30A(C)42X376H	42	59,9	99,8	230	2500	70,8	146,1						
30A(C)46X376H	46	65,6	100,5	230	2300	72,7	149,8						
30A(C)50X376H	50	71,3	99,8	200	2100	74,5	153,4						
30A(C)55X376H	55	78,4	91,4	200	1750	76,7	157,9						
30A(C)60X376H	60	85,5	99,8	180	1750	78,7	162,4						

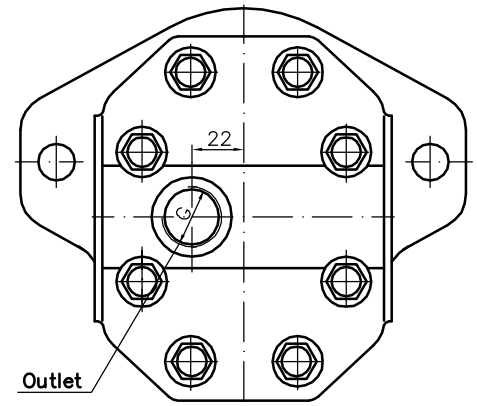
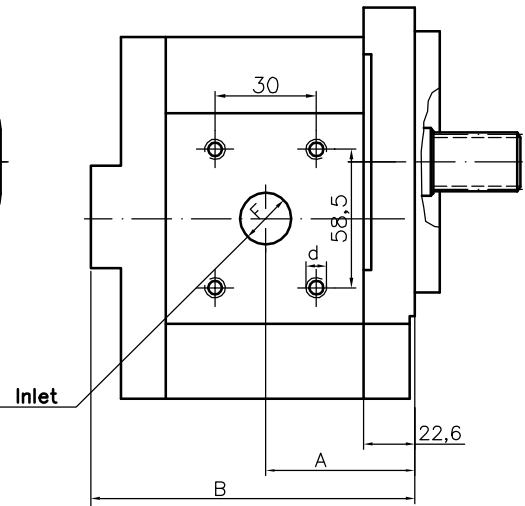
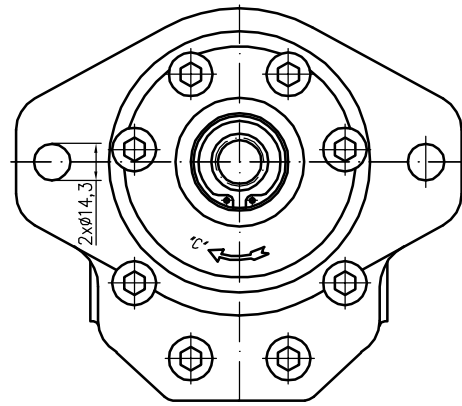


Type	Displacement cm ³ /rev	Flow		Pressure P _{nom} bar	max Speed n rpm	Dimension							
		at 1500 rpm l/min	at max rpm l/min			Inlet		Outlet					
						A mm	B mm	E mm	d mm	F mm	E mm	d mm	F mm
30A(C)20X379H	20	28,2	56,4	250	3000	56,1	114,7	40	M8	19	40	M8	19
30A(C)22,2X379H	22,5	31,7	63,5	250	3000	57,6	117,7						
30A(C)25X379H	25	35,3	70,5	250	3000	58,3	119,1						
30A(C)28X379H	28	39,5	79,0	250	3000	60,2	122,7						
30A(C)32X379	32	45,1	75,2	250	2500	62,0	126,3	55	M8	27	55	M8	19
30A(C)32X379H	32	45,1	90,2	250	3000	66,5	135,3						
30A(C)36X379	36	50,8	84,6	250	2500	63,5	129,4						
30A(C)36X379H	36	51,3	95,8	250	2800	68,0	138,5						
30A(C)42X379	42	59,9	91,8	230	2300	66,3	135,0	55	M8	27	55	M8	19
30A(C)42X379H	42	59,9	99,8	230	2500	70,8	144,0						
30A(C)46X379H	46	65,6	100,5	230	2300	72,7	147,8						
30A(C)50X379H	50	71,3	99,8	200	2100	74,5	151,4						
30A(C)55X379H	55	78,4	91,4	200	1750	76,7	155,9	55	M8	27	55	M8	19
30A(C)60X379H	60	85,5	99,8	180	1750	78,7	160,4						

Rotation "A"

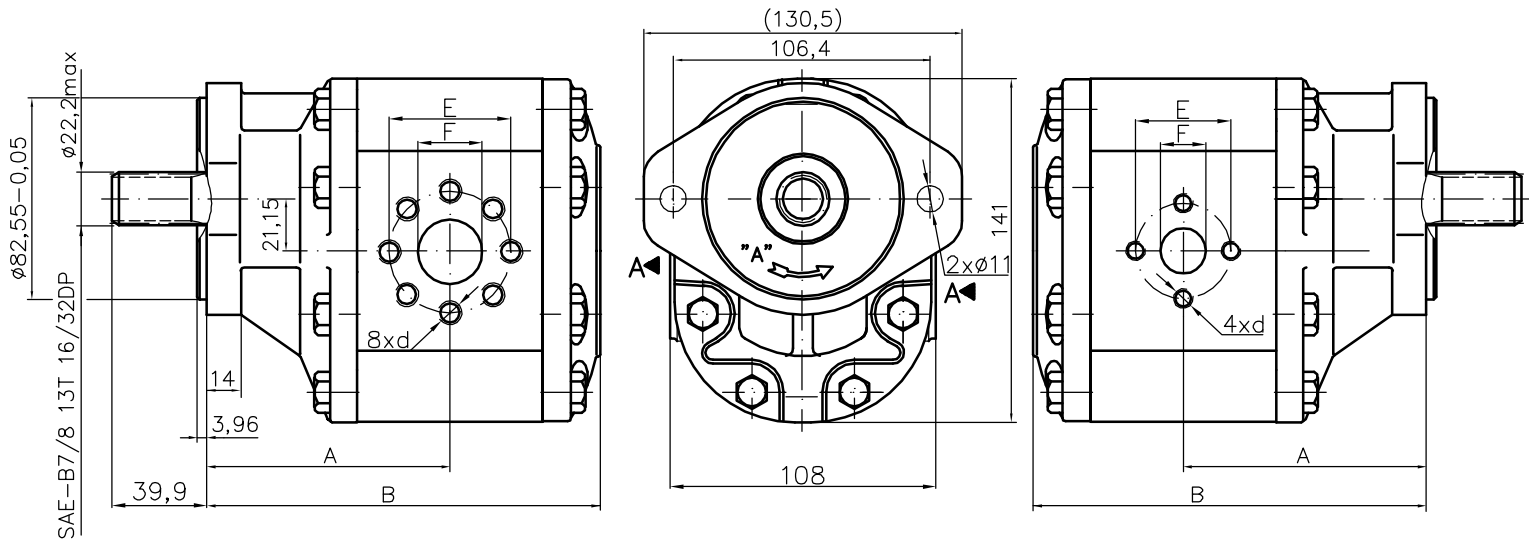


Rotation "C"

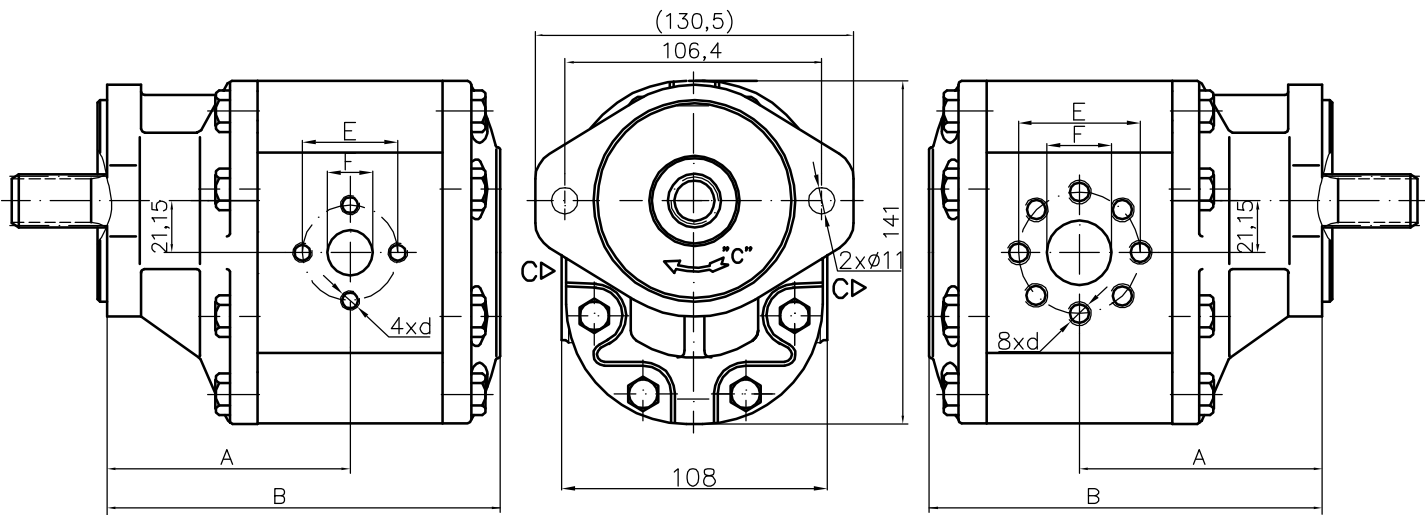


Type	Displacement cm ³ /rev	Flow		Pressure P _{nom} bar	max Speed n rpm	Dimension								
		at 1500 rpm l/min	at max rpm l/min			A mm	B mm	Inlet				Outlet		
						F	d	F1	L2	G				
30A(C)32X401HVU	32	45,1	90,2	250	3000	66,5	139,3							
30A(C)36X401VU	36	50,8	84,6	250	2500	63,5	133,4	27						
30A(C)36X401HVU	36	51,3	95,8	250	2800	68,0	142,5							
30A(C)42X401VU	42	59,9	91,8	230	2300	66,3	139,0							
30A(C)42X401HVU	42	59,9	99,8	230	2500	70,8	148,1							
30A(C)46X401HVU	46	65,6	100,5	230	2300	72,7	151,8							
30A(C)50X401HVU	50	71,3	99,8	200	2100	74,5	155,4							
30A(C)55X401HVU	55	78,4	91,4	200	1750	76,7	159,9							
30A(C)60X401HVU	60	85,5	99,8	180	1750	78,7	164,4							

Rotation "A"

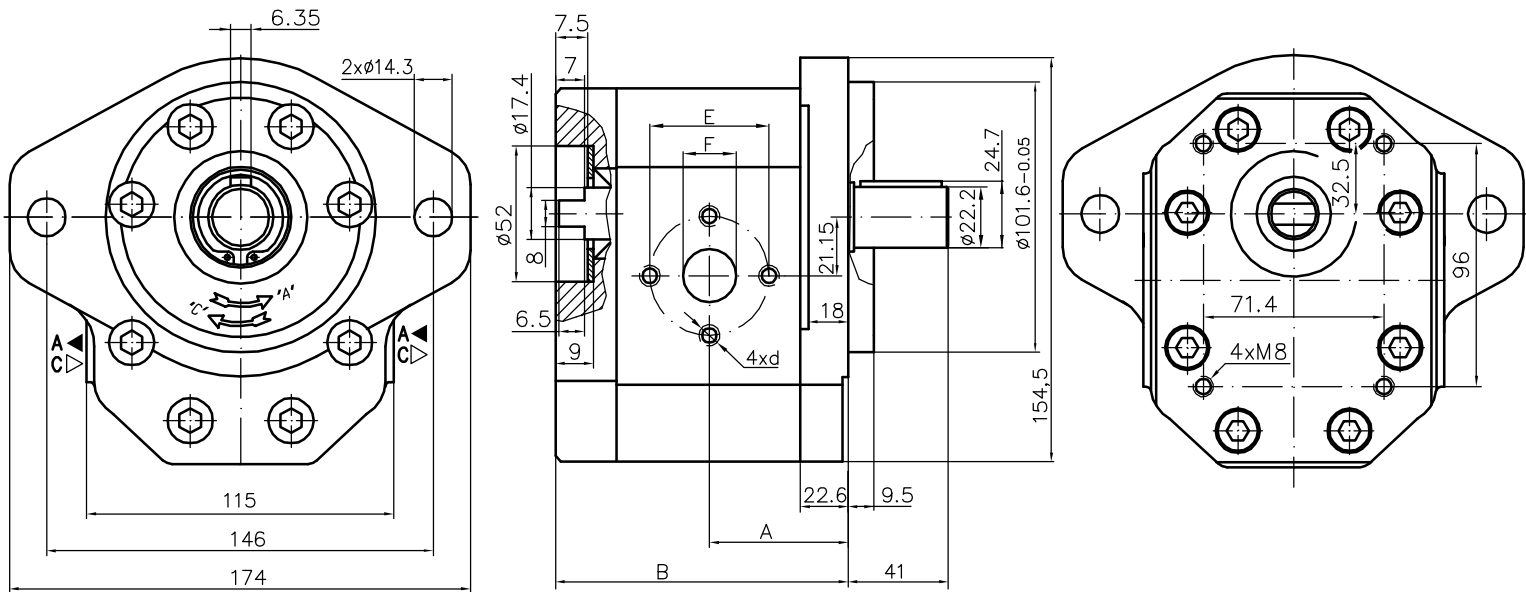


Rotation "C"



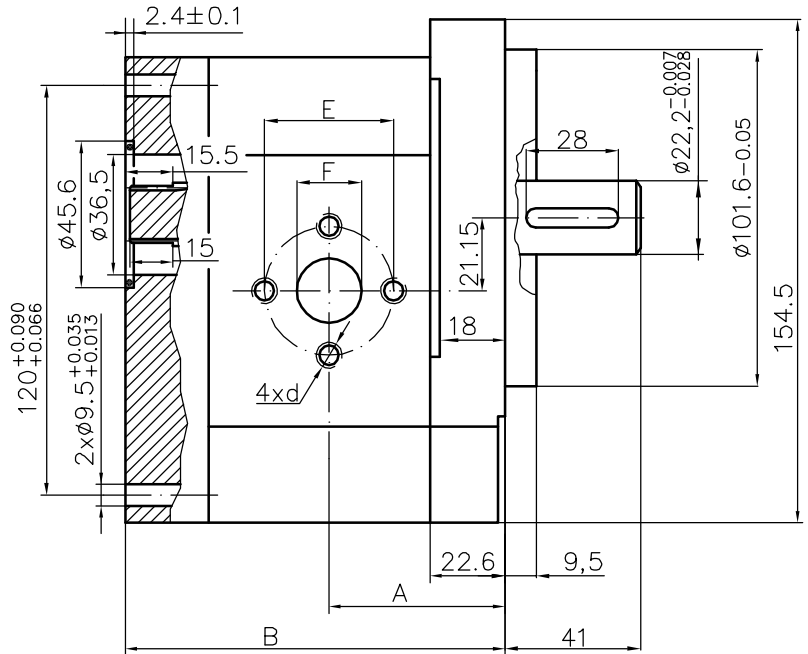
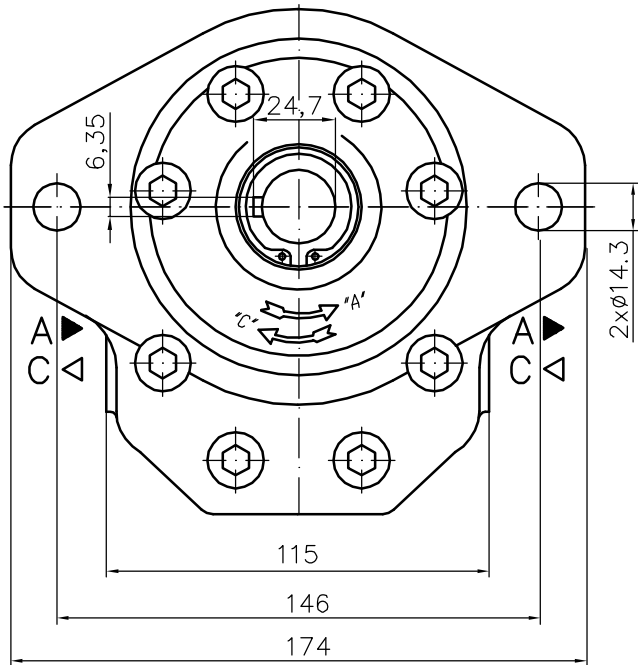
Type	Displacement cm ³ /rev	Flow		Pressure P _{nom} bar	max Speed n rpm	Dimension							
		at 1500 rpm l/min	at max rpm l/min			A mm	B mm	Inlet			Outlet		
								E	d	F	E	d	F
30A(C)32X415	32	45,1	90,2	200	3000	101,0	163,8				40	M8	19
								51	M10	27			

Designed as a first section of multiple gear pumps group 32.



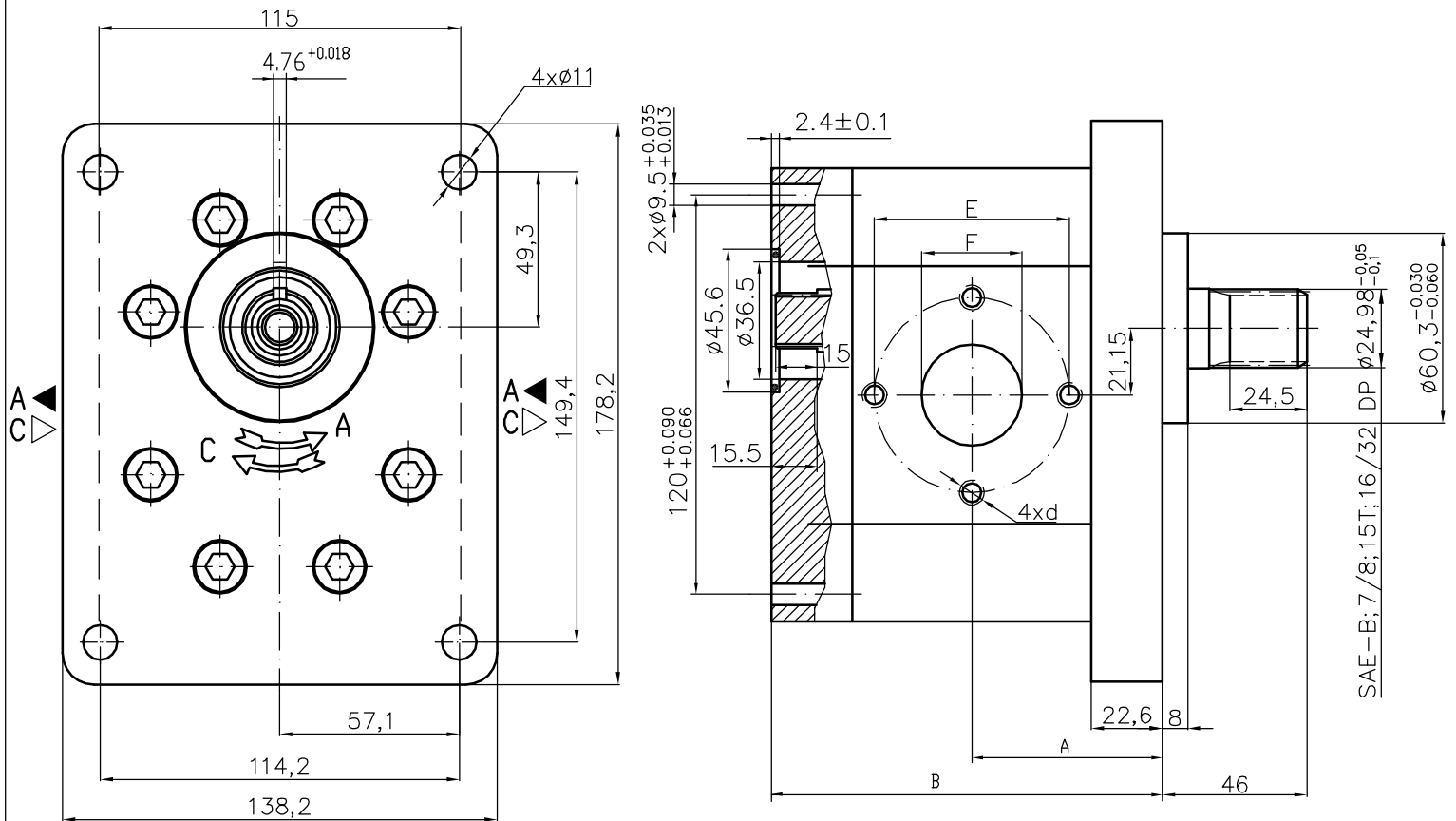
Type	Displacement cm ³ /rev	Flow		Pressure P _{nom} bar	max Speed n rpm	Dimension							
		at 1500 rpm l/min	at max rpm l/min			Inlet			Outlet				
						A mm	B mm	E	d	F	E	d	F
30A(C)20X454H	20	28,2	56,4	250	3000	56,1	114,7	40	M8	19			
30A(C)22,2X454H	22,5	31,7	63,5	250	3000	57,6	117,7						
30A(C)25X454H	25	35,3	70,5	250	3000	58,3	119,1						
30A(C)28X454H	28	39,5	79,0	250	3000	60,2	122,7						
30A(C)32X454	32	45,1	75,2	250	2500	62,0	126,3						
30A(C)32X454H	32	45,1	90,2	250	3000	66,5	135,3	51	M10	27	40	M8	19
30A(C)36X454	36	50,8	84,6	250	2500	63,5	129,4						
30A(C)36X454H	36	51,3	95,8	250	2800	68,0	138,5						
30A(C)42X454	42	59,9	91,8	230	2300	66,3	135,0						
30A(C)42X454H	42	59,9	99,8	230	2500	70,8	144,0						
30A(C)46X454H	46	65,6	100,5	230	2300	72,7	147,8						
30A(C)50X454H	50	71,3	99,8	200	2100	74,5	151,4						
30A(C)55X454H	55	78,4	91,4	200	1750	76,7	155,9						
30A(C)60X454H	60	85,5	99,8	180	1750	78,7	160,4						

Designed as a first section of multiple gear pumps group 33.

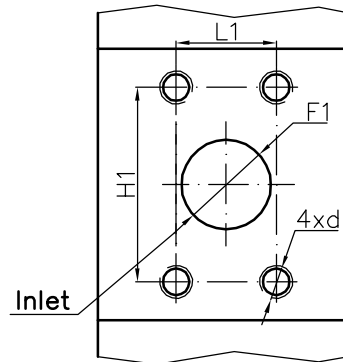
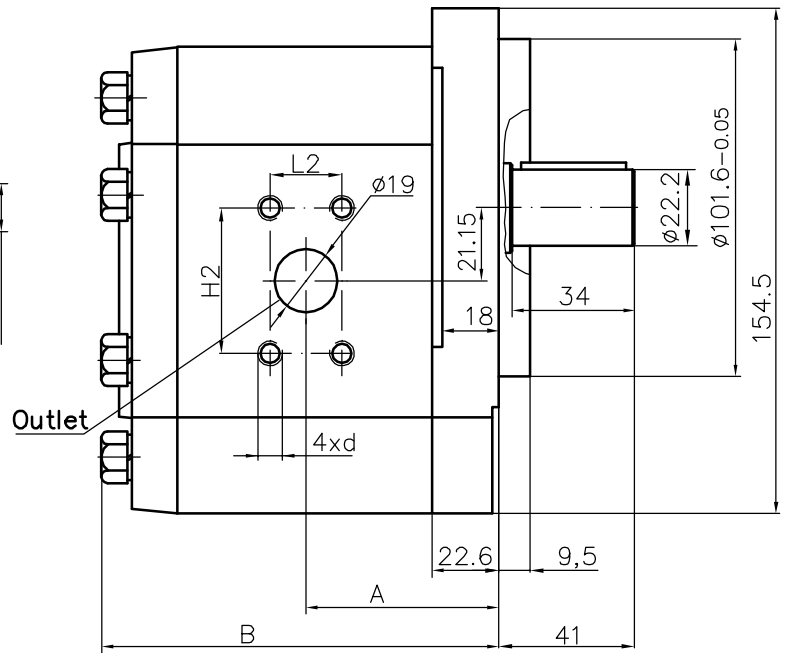
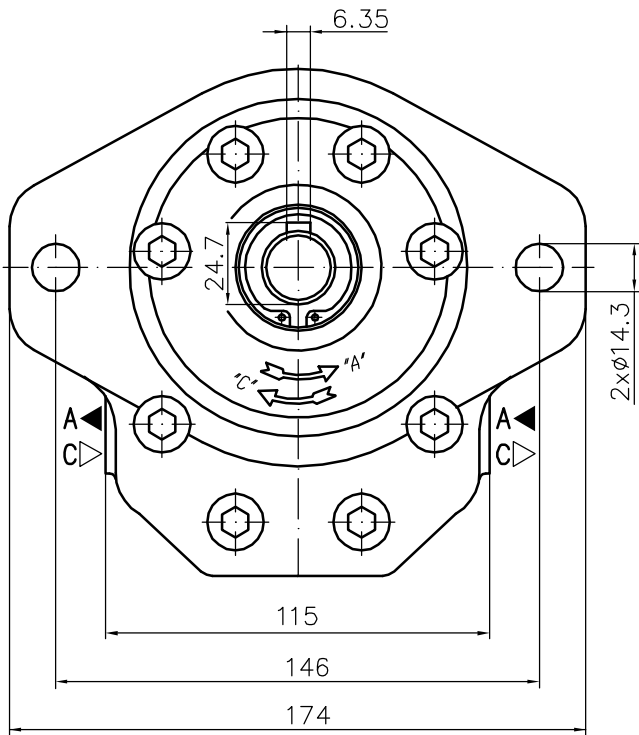


Type	Displacement cm ³ /rev	Flow		Pressure P _{nom} bar	max Speed n rpm	Dimension								
		at 1500 rpm l/min	at max rpm l/min			A mm	B mm	Inlet			Outlet			
								E	d	F	E	d	F	
30A(C)20X455H	20	28,2	56,4	250	3000	56,1	114,7	40	M8	19	40	M8	19	
30A(C)22,2X455H	22,5	31,7	63,5	250	3000	57,6	117,7							
30A(C)25X455H	25	35,3	70,5	250	3000	58,3	119,1							
30A(C)28X455H	28	39,5	79,0	250	3000	60,2	122,7							
30A(C)32X455	32	45,1	75,2	250	2500	62,0	126,3							
30A(C)32X455H	32	45,1	90,2	250	3000	66,5	135,3	51	M10	27	40	M8	19	
30A(C)36X455	36	50,8	84,6	250	2500	63,5	129,4							
30A(C)36X455H	36	51,3	95,8	250	2800	68,0	138,5							
30A(C)42X455	42	59,9	91,8	230	2300	66,3	135,0							
30A(C)42X455H	42	59,9	99,8	230	2500	70,8	144,0							
30A(C)46X455H	46	65,6	100,5	230	2300	72,7	147,8	51	M10	27	40	M8	19	
30A(C)50X455H	50	71,3	99,8	200	2100	74,5	151,4							
30A(C)55X455H	55	78,4	91,4	200	1750	76,7	155,9							
30A(C)60X455H	60	85,5	99,8	180	1750	78,7	160,4							

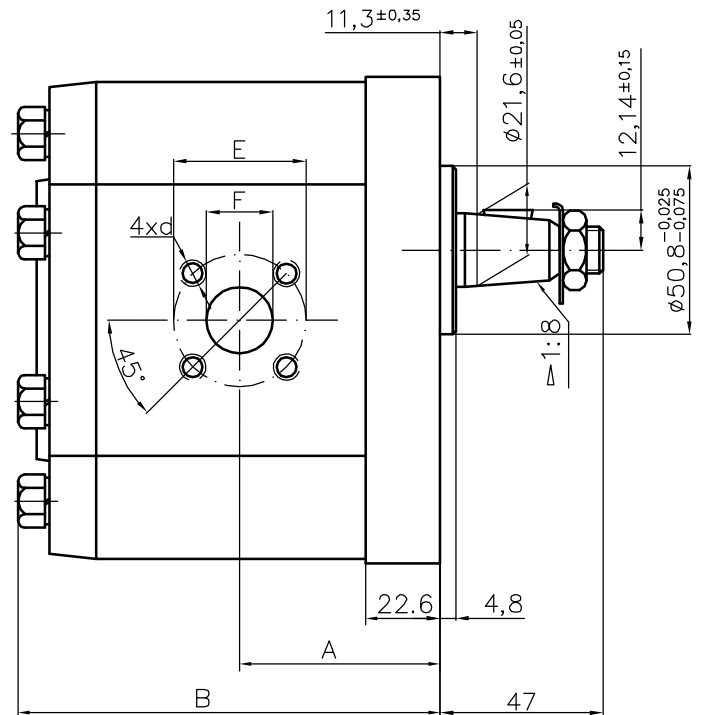
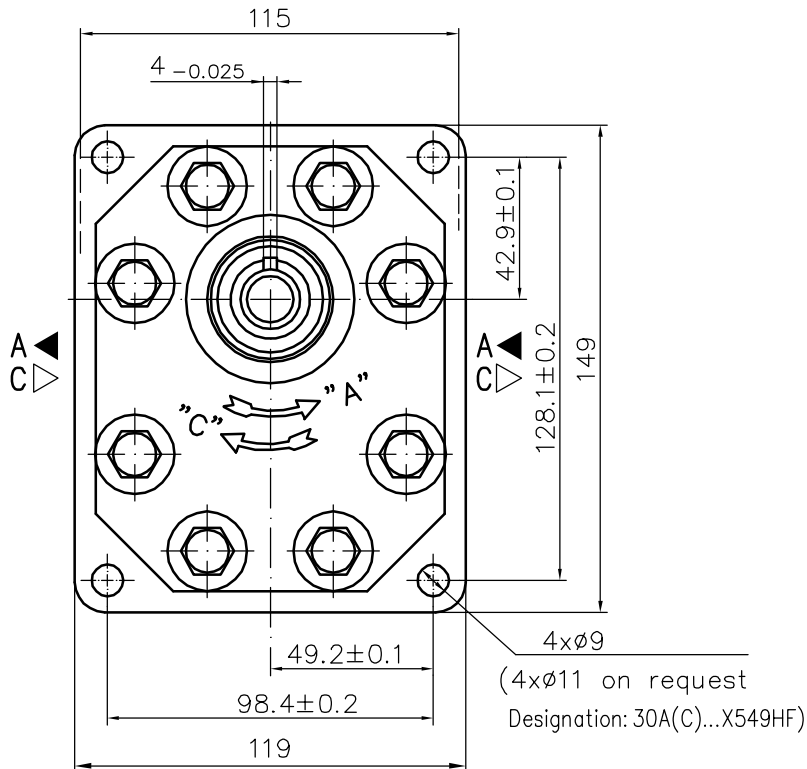
Designed as a first section of multiple gear pumps group 43.



Type	Displacement cm ³ /rev	Flow		Pressure P _{nom} bar	max Speed n rpm	Dimension							
		at 1500 rpm l/min	at max rpm l/min			Inlet			Outlet				
						A mm	B mm	E mm	d mm	F mm	E mm	d mm	F mm
40A(C)36X473H	36	51,3	95,8	250	2800	68,0	138,5	62					
40A(C)42X473H	42	59,9	99,8	230	2500	70,8	144,0						
40A(C)46X473H	46	65,6	100,5	230	2300	72,7	147,8						
40A(C)50X473H	50	71,3	99,8	200	2100	74,5	151,4						
40A(C)55X473H	55	78,4	91,4	200	1750	76,7	155,9						
40A(C)60X473H	60	85,5	99,8	180	1750	78,7	160,4						

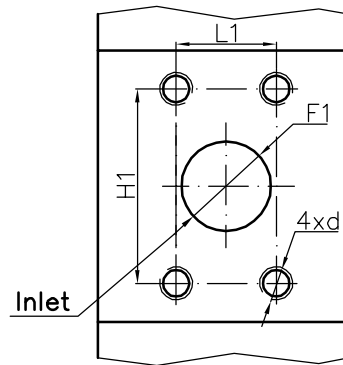
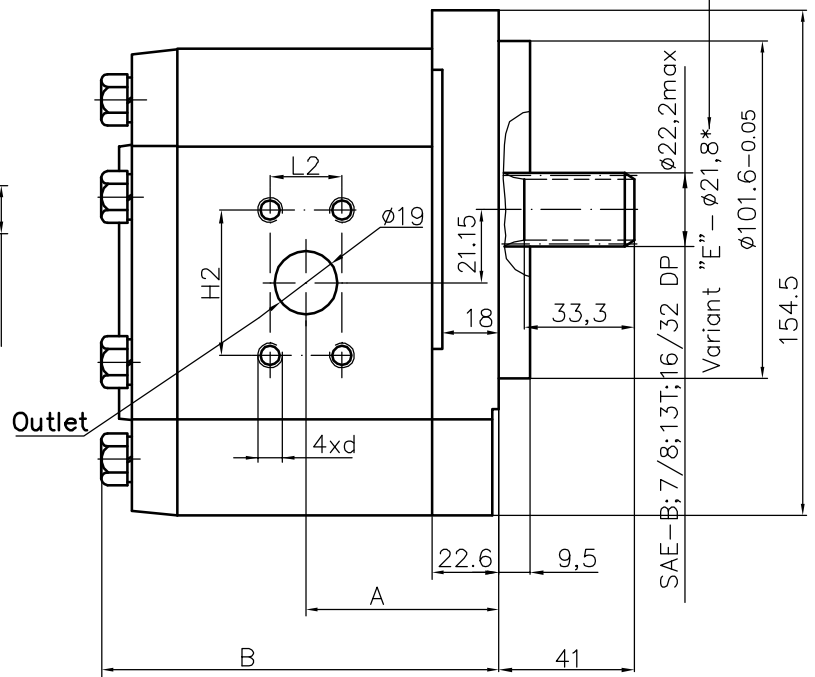
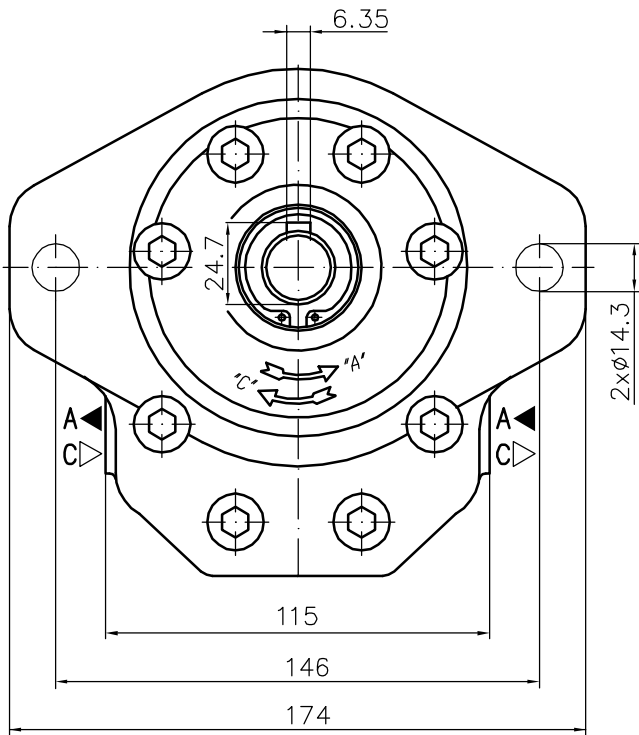


Type	Displacement cm ³ /rev	Flow		Pressure P _{nom} bar	max Speed n rpm	Dimension									
		at 1500 rpm l/min	at max rpm l/min			A mm	B mm	Inlet				Outlet			
								F1	d	H1	L1	F2	d	H2	L2
30A(C)20X547H	20	28,2	56,4	250	3000	56,1	116,7	19	3/8"-16UNC-2B	47,6	22,2	19	3/8"-16UNC-2B	47,6	22,2
30A(C)22,2X547H	22,5	31,7	63,5	250	3000	57,6	119,7								
30A(C)25X547H	25	35,3	58,8	250	2500	58,3	121,1								
30A(C)28X547H	28	39,5	79,0	250	3000	60,2	124,7								
30A(C)32X547	32	45,1	75,2	250	2500	62,0	128,3								
30A(C)32X547H	32	45,1	84,2	250	2800	66,5	137,3	27	3/8"-16UNC-2B	52,4	26,2	3/8"-16UNC-2B	47,6	22,2	
30A(C)36X547	36	50,8	77,8	250	2300	63,5	131,4								
30A(C)36X547H	36	51,3	85,5	250	2500	68,0	140,5								
30A(C)42X547	42	59,9	91,8	230	2300	66,3	137,0								
30A(C)42X547H	42	59,9	83,8	230	2100	70,8	146,1								
30A(C)46X547H	46	65,6	76,5	230	1750	72,7	149,8	27	3/8"-16UNC-2B	52,4	26,2	3/8"-16UNC-2B	47,6	22,2	
30A(C)50X547H	50	71,3	83,1	200	1750	74,5	153,4								
30A(C)55X547H	55	78,4	91,4	200	1750	76,7	157,9								
30A(C)60X547H	60	85,5	99,8	180	1750	78,7	162,4								

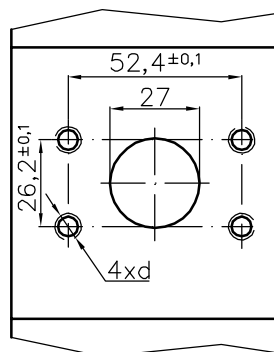
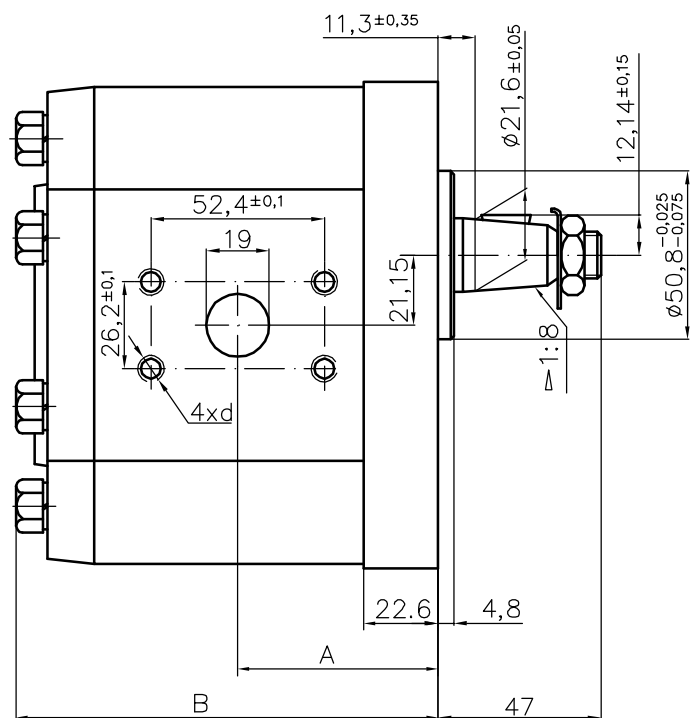
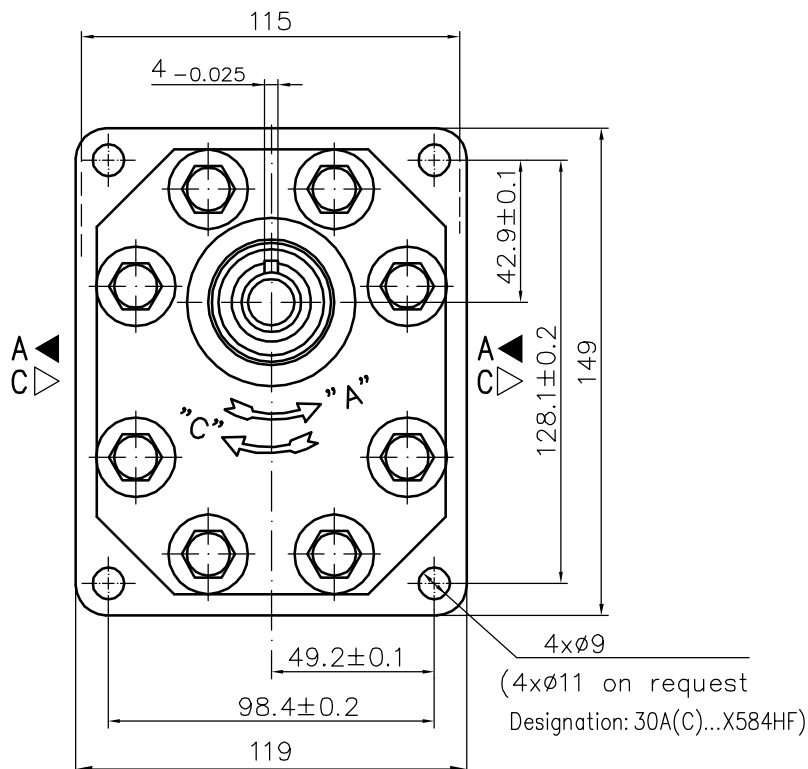


Type	Displacement cm ³ /rev	Flow		Pressure P _{nom} bar	max Speed n rpm	Dimension							
		at 1500 rpm l/min	at max rpm l/min			A mm	B mm	Inlet			Outlet		
								E	d	F	E	d	F
30A(C)20X549H	20	28,2	56,4	250	3000	56,1	116,7	40	M6	20	35	M6	15
30A(C)22,5X549H	22,5	31,7	63,5	250	3000	57,6	119,7						
30A(C)25X549H	25	35,3	70,5	250	3000	58,3	121,1						
30A(C)28X549H	28	39,5	79,0	250	3000	60,2	124,7						
30A(C)32X549	32	45,1	75,2	250	2500	62,0	128,3						
30A(C)32X549H	32	45,1	90,2	250	3000	66,5	137,3	55	M8	27	55	M8	19
30A(C)36X549	36	50,8	84,6	250	2500	63,5	131,4						
30A(C)36X549H	36	50,8	95,8	250	2800	68,0	140,5						
30A(C)42X549	42	59,9	91,8	230	2300	66,3	137,0						
30A(C)42X549H	42	59,9	99,8	230	2500	70,8	146,1						
30A(C)46X549H	46	65,6	100,5	230	2300	72,7	149,8						
30A(C)50X549H	50	71,3	99,8	200	2100	74,5	153,4						
30A(C)55X549H	55	78,4	91,4	200	1750	76,7	157,9						
30A(C)60X549H	60	85,5	99,8	180	1750	78,7	162,4						

*designation: 30A(C)...X569HE

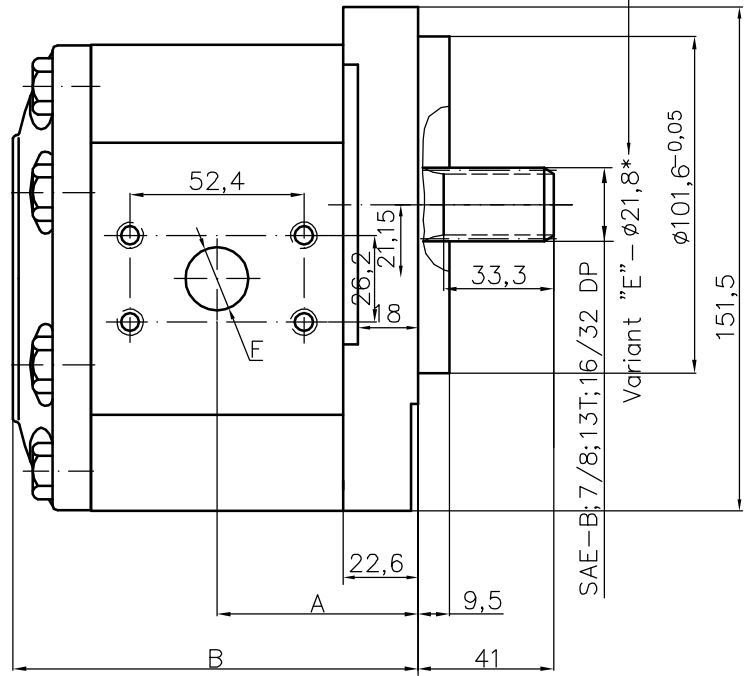
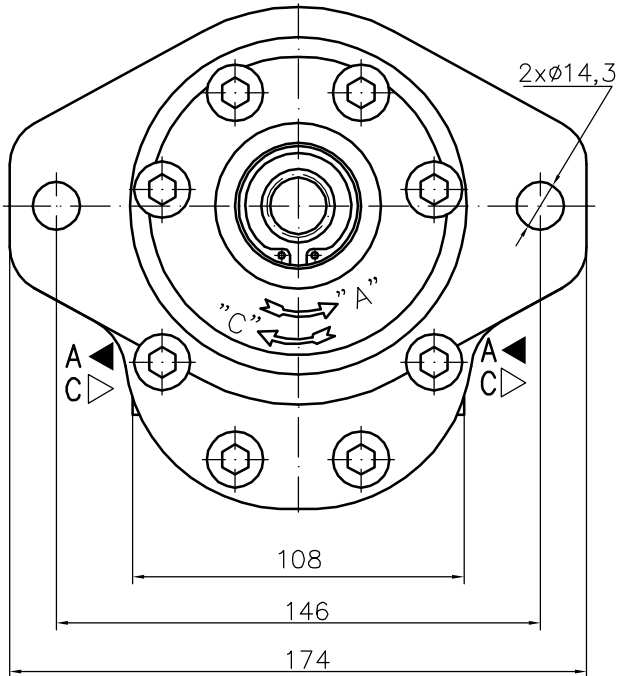


Type	Displacement cm ³ /rev	Flow		Pressure P _{nom} bar	max Speed n rpm	Dimension									
		at 1500 rpm l/min	at max rpm l/min			Inlet				Outlet					
						A mm	B mm	F1	d	H1	L1	F2	d	H2	L2
30A(C)20X569H	20	28,2	56,4	250	3000	56,1	116,7	19	3/8"-16UNC-2B	47,6	22,2	19	3/8"-16UNC-2B	47,6	22,2
30A(C)22,2X569H	22,5	31,7	63,5	250	3000	57,6	119,7								
30A(C)25X569H	25	35,3	58,8	250	2500	58,3	121,1	27	3/8"-16UNC-2B	52,4	26,2	19	3/8"-16UNC-2B	47,6	22,2
30A(C)28X569H	28	39,5	79,0	250	3000	60,2	124,7								
30A(C)32X569	32	45,1	75,2	250	2500	62,0	128,3	27	3/8"-16UNC-2B	52,4	26,2	19	3/8"-16UNC-2B	47,6	22,2
30A(C)32X569H	32	45,1	84,2	250	2800	66,5	137,3								
30A(C)36X569	36	50,8	77,8	250	2300	63,5	131,4	27	3/8"-16UNC-2B	52,4	26,2	19	3/8"-16UNC-2B	47,6	22,2
30A(C)36X569H	36	51,3	85,5	250	2500	68,0	140,5								
30A(C)42X569	42	59,9	91,8	230	2300	66,3	137,0	27	3/8"-16UNC-2B	52,4	26,2	19	3/8"-16UNC-2B	47,6	22,2
30A(C)42X569H	42	59,9	83,8	230	2100	70,8	146,1								
30A(C)46X569H	46	65,6	76,5	230	1750	72,7	149,8	27	3/8"-16UNC-2B	52,4	26,2	19	3/8"-16UNC-2B	47,6	22,2
30A(C)50X569H	50	71,3	83,1	200	1750	74,5	153,4								
30A(C)55X569H	55	78,4	91,4	200	1750	76,7	157,9	27	3/8"-16UNC-2B	52,4	26,2	19	3/8"-16UNC-2B	47,6	22,2
30A(C)60X569H	60	85,5	99,8	180	1750	78,7	162,4								

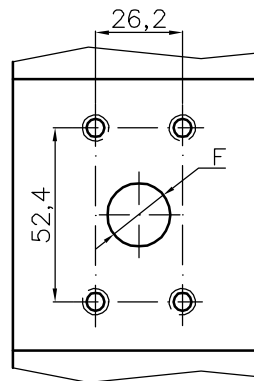


Type	Displacement cm ³ /rev	Flow		Pressure P _{nom} bar	max Speed n rpm	Dimension							
		at 1500 rpm l/min	at max rpm l/min			A mm	B mm	Inlet				Outlet	
						F1	d	H1	L1	F2	d	H2	L2
30A(C)25X584H	25	35,3	70,5	250	3000	58,3	121,1						
30A(C)28X584H	28	39,5	79,0	250	3000	60,2	124,7						
30A(C)32X584	32	45,1	75,2	250	2500	62,0	128,3						
30A(C)32X584H	32	45,1	90,2	250	3000	66,5	137,3						
30A(C)36X584	36	50,8	84,6	250	2500	63,5	131,4						
30A(C)36X584H	36	51,3	95,8	250	2800	68,0	140,5						
30A(C)42X584	42	59,9	91,8	230	2300	66,3	137,0						
30A(C)42X584H	42	59,9	99,8	230	2500	70,8	146,1						
30A(C)46X584H	46	65,6	100,5	230	2300	72,7	149,8						
30A(C)50X584H	50	71,3	99,8	200	2100	74,5	153,4						
30A(C)55X584H	55	78,4	91,4	200	1750	76,7	157,9						
30A(C)60X584H	60	85,5	99,8	180	1750	78,7	162,4						

*designation: 30A(C)...X610HE-V

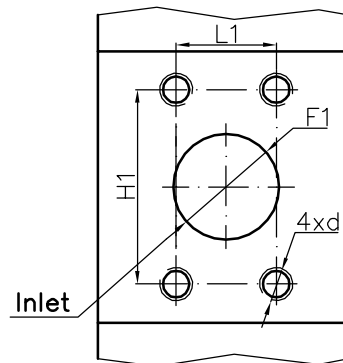
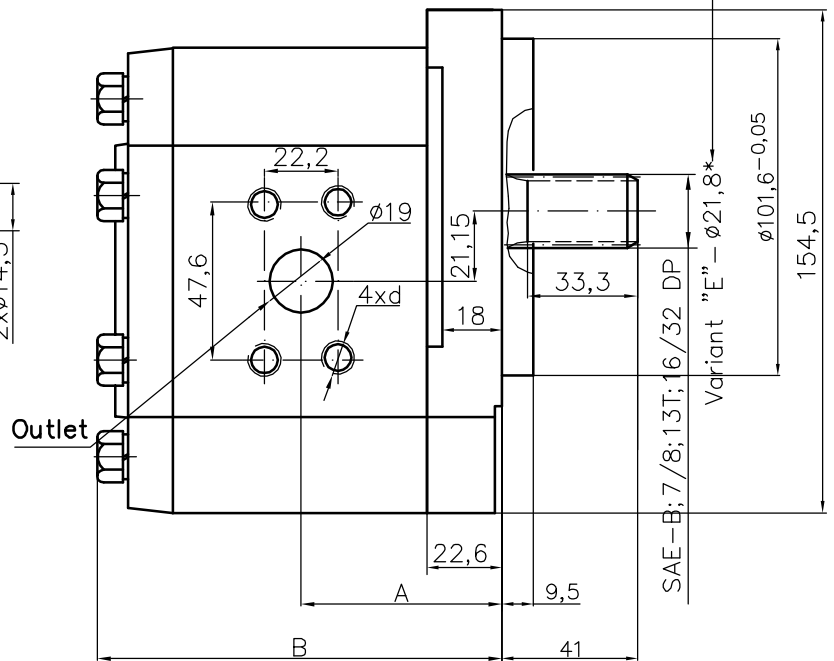
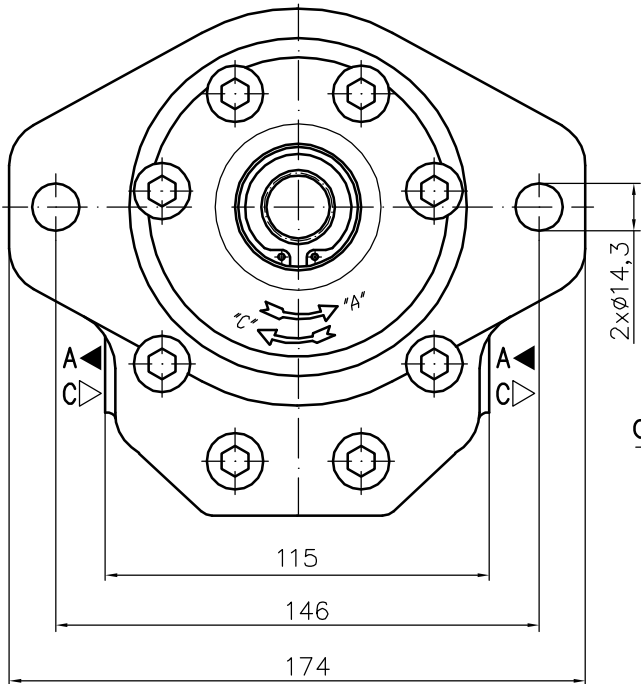


Ports measure for 30A(C)22,5X610H-V
30A(C)25X610H-V
30A(C)28X610H-V

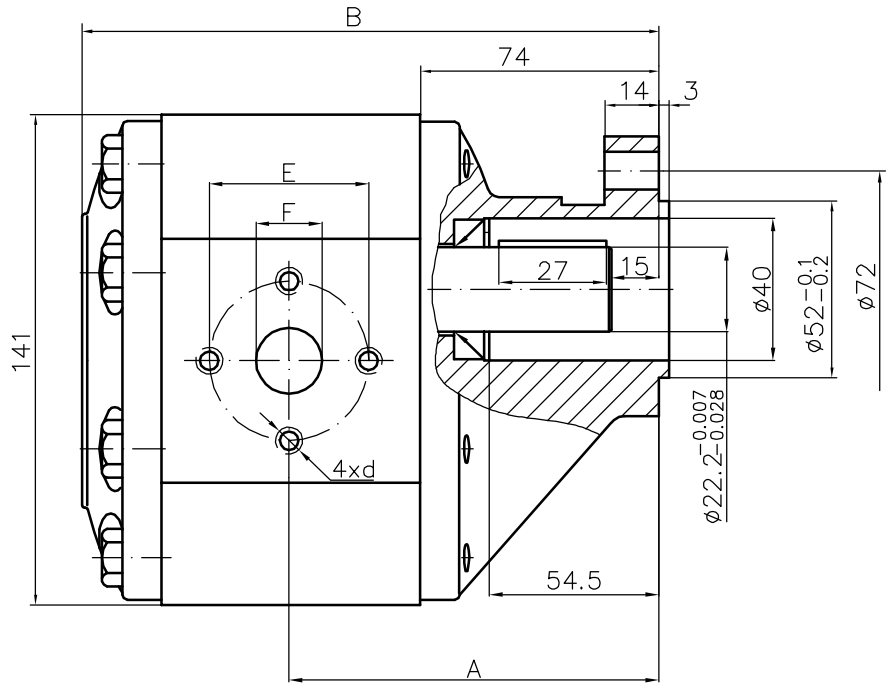
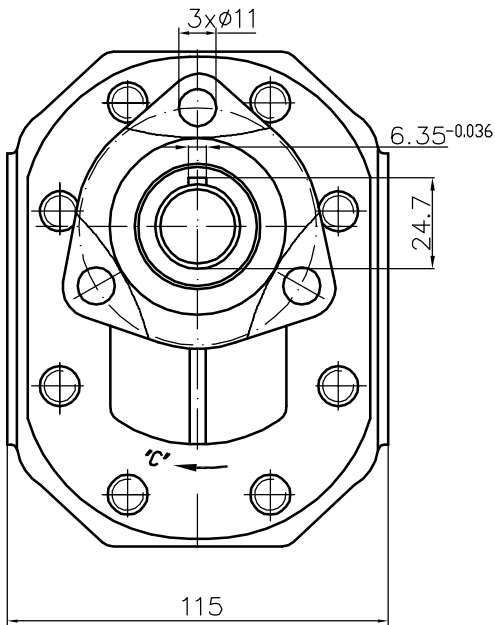


Type	Displacement cm ³ /rev	Flow		Pressure P _{nom} bar	max Speed n rpm	Dimension																	
		at 1500 rpm l/min	at max rpm l/min			A mm	B mm	Inlet				Outlet											
								F1	d	H1	L1	F2	d	H2	L2								
30A(C)22,2X610H-V	22,5	31,7	63,5	250	3000	57,6	116,2	25															
30A(C)25X610H-V	25	35,3	70,5	250	3000	58,3	117,6																
30A(C)28X610H-V	28	39,5	79,0	250	3000	60,2	121,2																
30A(C)32X610H-V	32	45,1	90,2	250	3000	66,5	133,8																
30A(C)36X610H-V	36	50,8	94,8	250	2800	68,0	137,0	27	M10	52,4	26,2	19	M10	52,4	26,2								
30A(C)42X610H-V	42	59,2	98,7	230	2500	70,8	142,6																
30A(C)46X610H-V	46	65,6	100,5	230	2300	72,7	146,3																
30A(C)50X610H-V	50	71,3	99,8	200	2100	74,5	149,9																
30A(C)55X610H-V	55	78,4	91,4	200	1750	76,7	154,4																
30A(C)60X610H-V	60	85,5	99,8	180	1750	78,7	158,9																
30A(C)22,2X610HH-V	22,5	31,7	63,5	250	3000	62,1	125,2									25							
30A(C)25X610HH-V	25	35,3	70,5	250	3000	62,8	126,6																
30A(C)28X610HH-V	28	39,5	79,0	250	3000	64,7	130,2																

*designation: 30A(C)...X613HE

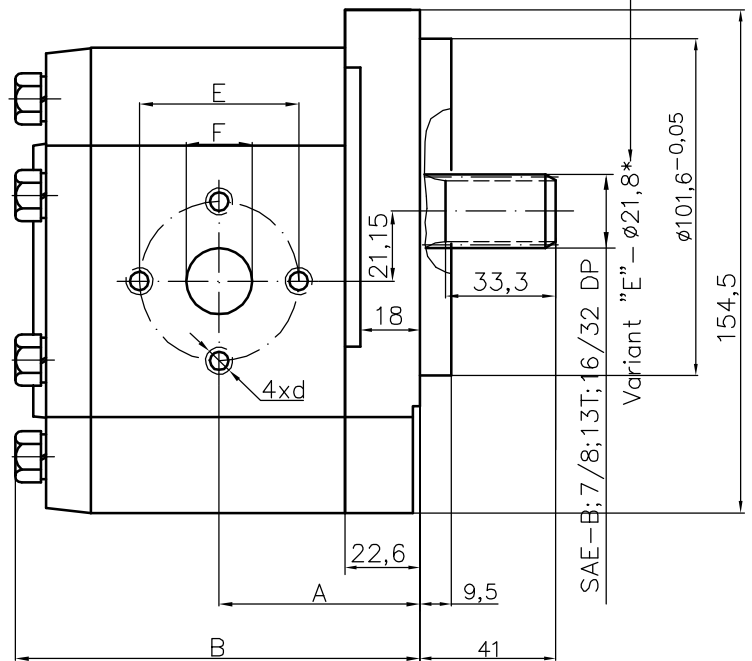
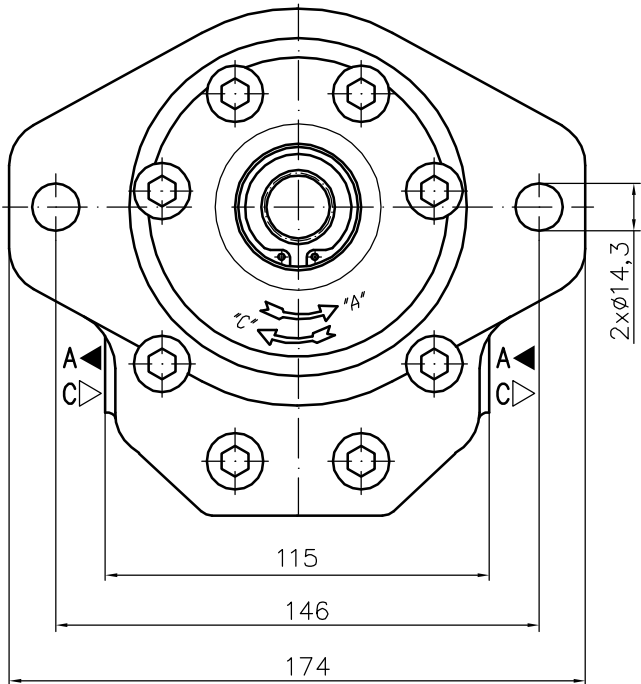


Type	Displacement cm ³ /rev	Flow		Pressure P _{nom} bar	max Speed n rpm	Dimension									
		at 1500 rpm l/min	at max rpm l/min			Inlet				Outlet					
						A mm	B mm	F1	d	H1	L1	F2	d	H2	L2
30A(C)20X613H	20	28,2	56,4	250	3000	56,1	116,7	19	3/8"-16UNC-2B	47,6	22,2	19	3/8"-16UNC-2B	47,6	22,2
30A(C)22,2X613H	22,5	31,7	63,5	250	3000	57,6	119,7								
30A(C)25X613H	25	35,3	70,5	250	3000	58,3	121,1	27	3/8"-16UNC-2B	52,4	26,2	19	3/8"-16UNC-2B	47,6	22,2
30A(C)28X613H	28	39,5	79,0	250	3000	60,2	124,7								
30A(C)32X613	32	45,1	75,2	250	2500	62,0	128,3	27	3/8"-16UNC-2B	52,4	26,2	19	3/8"-16UNC-2B	47,6	22,2
30A(C)32X613H	32	45,1	90,2	250	3000	66,5	137,3								
30A(C)36X613	36	50,8	84,6	250	2500	63,5	131,4	27	3/8"-16UNC-2B	52,4	26,2	19	3/8"-16UNC-2B	47,6	22,2
30A(C)36X613H	36	51,3	95,8	250	2800	68,0	140,5								
30A(C)42X613	42	59,9	91,8	230	2300	66,3	137,0	27	3/8"-16UNC-2B	52,4	26,2	19	3/8"-16UNC-2B	47,6	22,2
30A(C)42X613H	42	59,9	99,8	230	2500	70,8	146,1								
30A(C)46X613H	46	65,6	100,5	230	2300	72,7	149,8	27	3/8"-16UNC-2B	52,4	26,2	19	3/8"-16UNC-2B	47,6	22,2
30A(C)50X613H	50	71,3	99,8	200	2100	74,5	153,4								
30A(C)55X613H	55	78,4	91,4	200	1750	76,7	157,9	27	3/8"-16UNC-2B	52,4	26,2	19	3/8"-16UNC-2B	47,6	22,2
30A(C)60X613H	60	85,5	99,8	180	1750	78,7	162,4								

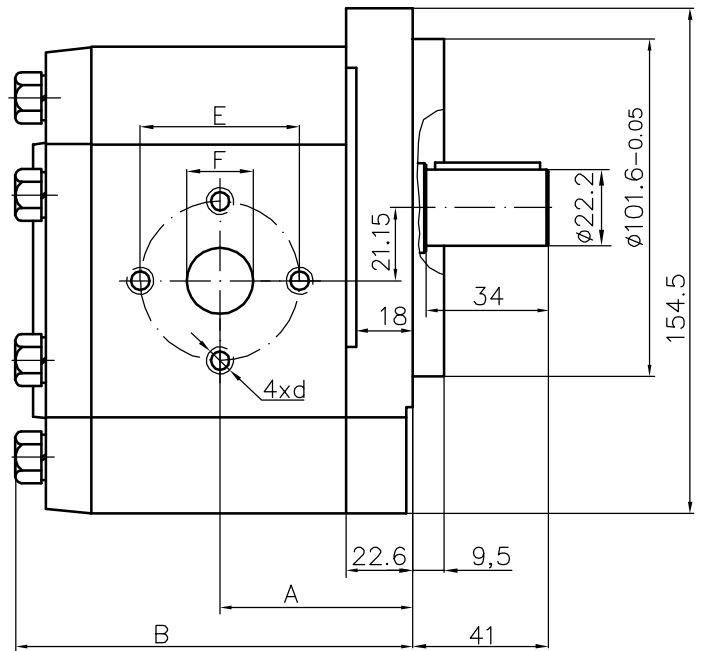
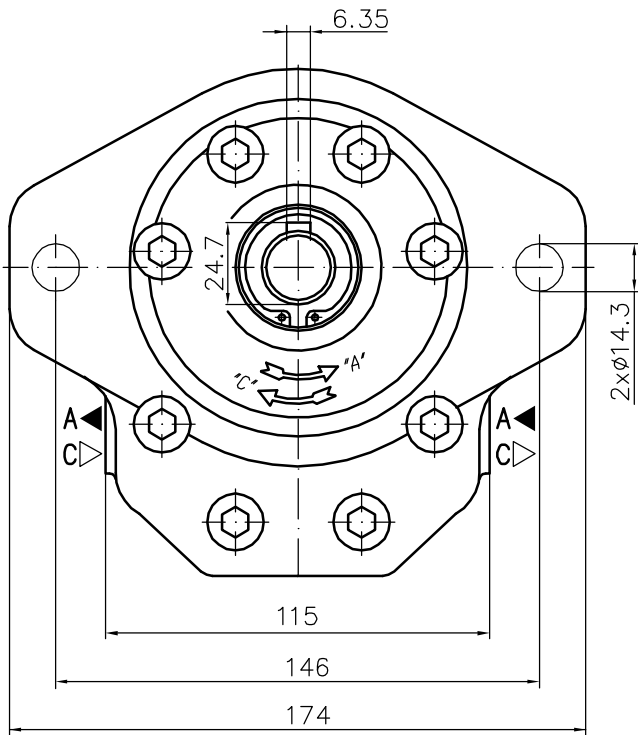


Type	Displacement cm ³ /rev	Flow		Pressure P _{nom} bar	max Speed n rpm	Dimension							
		at 1500 rpm l/min	at max rpm l/min			Inlet		Outlet					
						A mm	B mm	E mm	d mm	F mm	E mm	d mm	F mm
30A(C)32X615H	32	45,1	90,2	250	3000	117,8	188,2	48,12	M8-6H	28	48,12	M8-6H	20
30A(C)36X615H	36	51,3	95,8	250	2800	119,5	191,4						
30A(C)42X615H	42	59,9	99,8	230	2500	122,2	197,0						
30A(C)46X615H	46	65,6	100,5	230	2300	124,1	200,7						
30A(C)50X615H	50	71,3	99,8	200	2100	125,9	204,3						
30A(C)55X615H	55	78,4	91,4	200	1750	128,1	208,8						
30A(C)60X615H	60	85,5	99,8	180	1750	130,4	213,3						

*designation: 30A(C)...X616HE

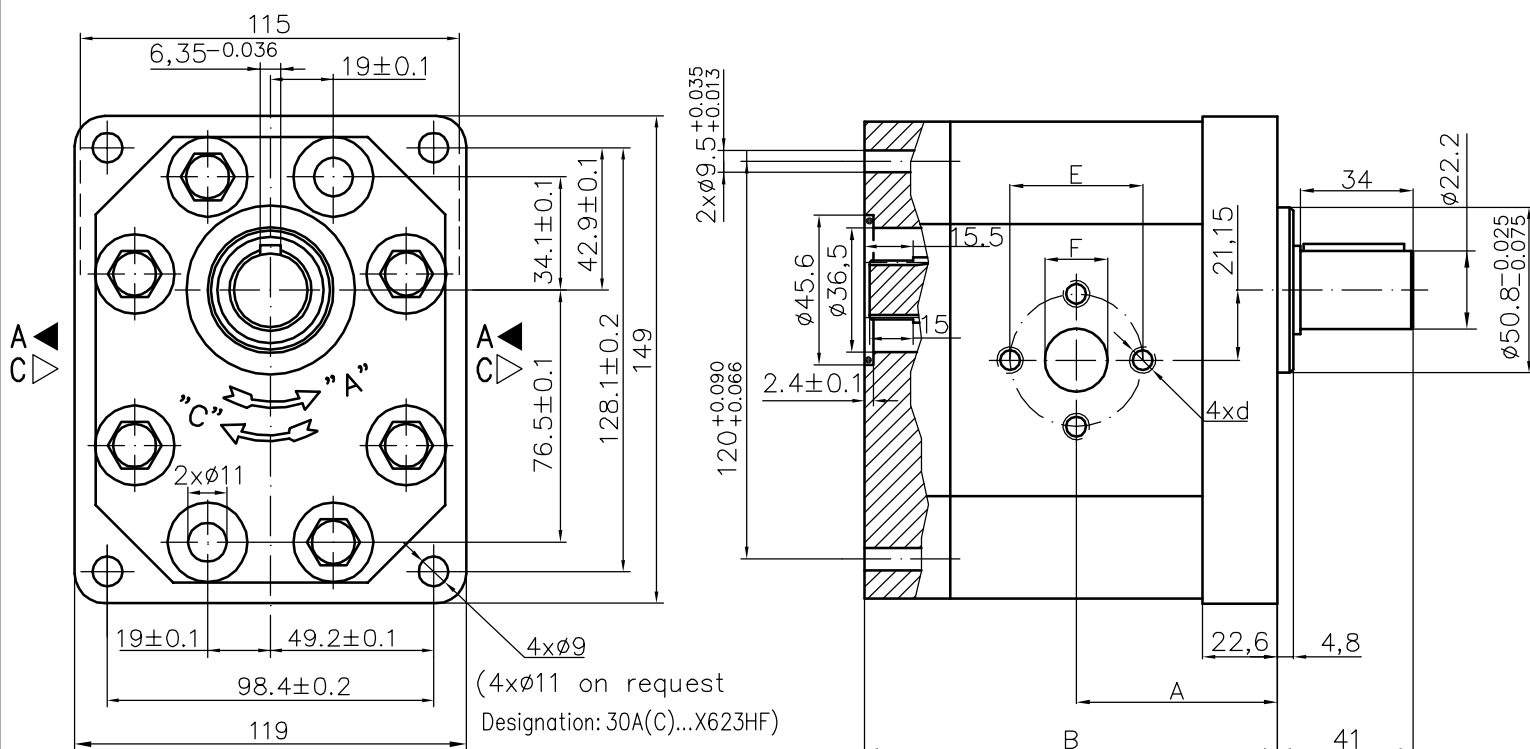


Type	Displacement cm ³ /rev	Flow		Pressure P _{nom} bar	max Speed n rpm	Dimension							
		at 1500 rpm l/min	at max rpm l/min			Inlet		Outlet					
						A mm	B mm	E	d	F	E	d	F
30A(C)20X616H	20	28,2	56,4	250	3000	56,1	114,7	48,12	5/16"-18UNC-2B	27	48,12	5/16"-18UNC-2B	19
30A(C)22,2X616H	22,5	31,7	63,5	250	3000	57,6	117,7						
30A(C)25X616H	25	35,3	70,5	250	3000	58,3	119,1						
30A(C)28X616H	28	39,5	79,0	250	3000	60,2	122,7						
30A(C)32X616	32	45,1	75,2	250	2500	62,0	126,3						
30A(C)32X616H	32	45,1	90,2	250	3000	66,5	135,3						
30A(C)36X616	36	50,8	84,6	250	2500	63,5	129,4						
30A(C)36X616H	36	51,3	95,8	250	2800	68,0	138,5						
30A(C)42X616	42	59,9	91,8	230	2300	66,3	135,0						
30A(C)42X616H	42	59,9	99,8	230	2500	70,8	144,0						
30A(C)46X616H	46	65,6	100,5	230	2300	72,7	147,8						
30A(C)50X616H	50	71,3	99,8	200	2100	74,5	151,4						
30A(C)55X616H	55	78,4	91,4	200	1750	76,7	155,9						
30A(C)60X616H	60	85,5	99,8	180	1750	78,7	160,4						

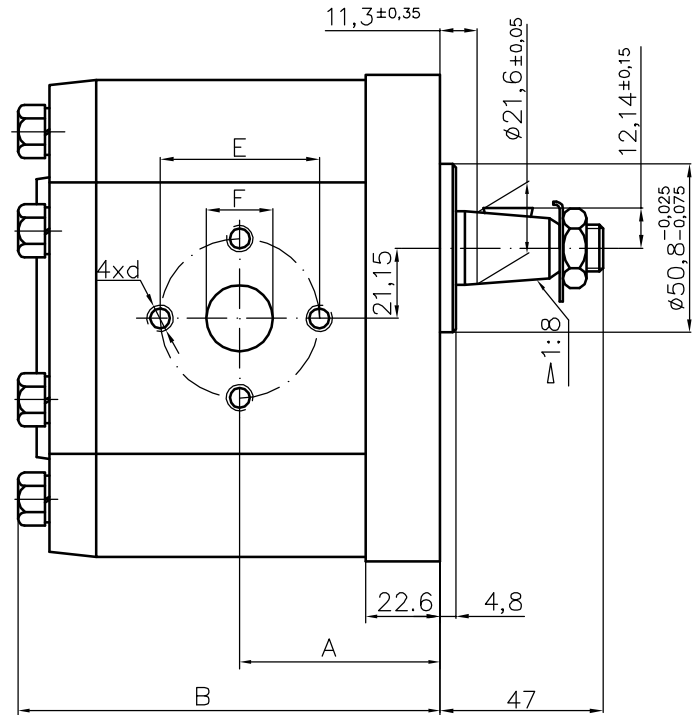
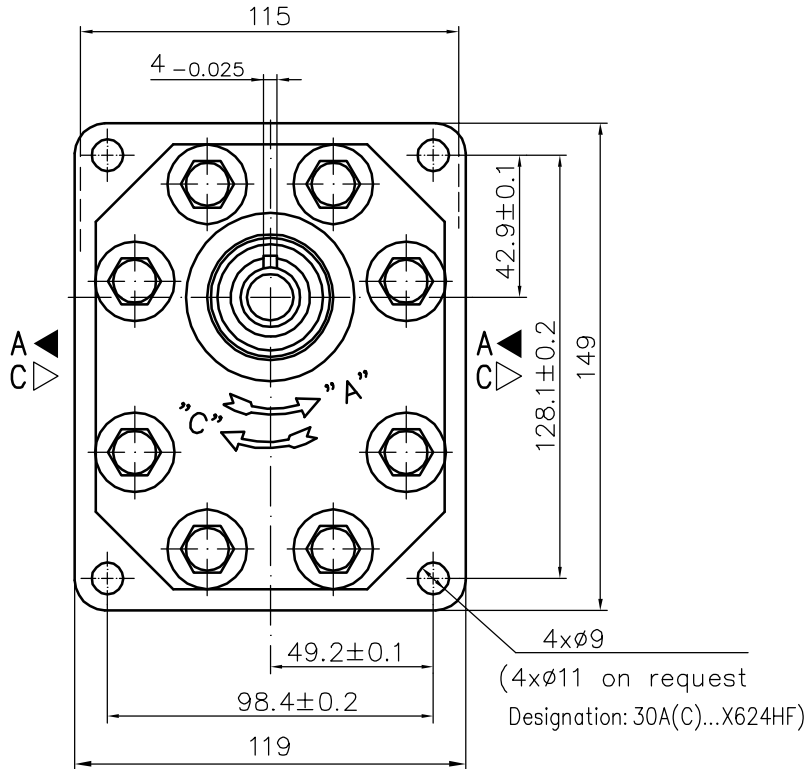


Type	Displacement cm ³ /rev	Flow		Pressure P _{nom} bar	max Speed n rpm	Dimension							
		at 1500 rpm l/min	at max rpm l/min			Inlet		Outlet					
						A mm	B mm	E	d	F	E	d	F
30A(C)20X617H	20	28,2	56,4	250	3000	56,1	114,7	48,12	5/16"-18UNC-2B	27	48,12	5/16"-18UNC-2B	19
30A(C)22,2X617H	22,5	31,7	63,5	250	3000	57,6	117,7						
30A(C)25X617H	25	35,3	70,5	250	3000	58,3	119,1						
30A(C)28X617H	28	39,5	79,0	250	3000	60,2	122,7						
30A(C)32X617	32	45,1	75,2	250	2500	62,0	126,3						
30A(C)32X617H	32	45,1	90,2	250	3000	66,5	135,3						
30A(C)36X617	36	50,8	84,6	250	2500	63,5	129,4						
30A(C)36X617H	36	51,3	95,8	250	2800	68,0	138,5						
30A(C)42X617	42	59,9	91,8	230	2300	66,3	135,0						
30A(C)42X617H	42	59,9	99,8	230	2500	70,8	144,0						
30A(C)46X617H	46	65,6	100,5	230	2300	72,7	147,8						
30A(C)50X617H	50	71,3	99,8	200	2100	74,5	151,4						
30A(C)55X617H	55	78,4	91,4	200	1750	76,7	155,9						
30A(C)60X617H	60	85,5	99,8	180	1750	78,7	160,4						

Designed as a first section of multiple gear pumps group 33.

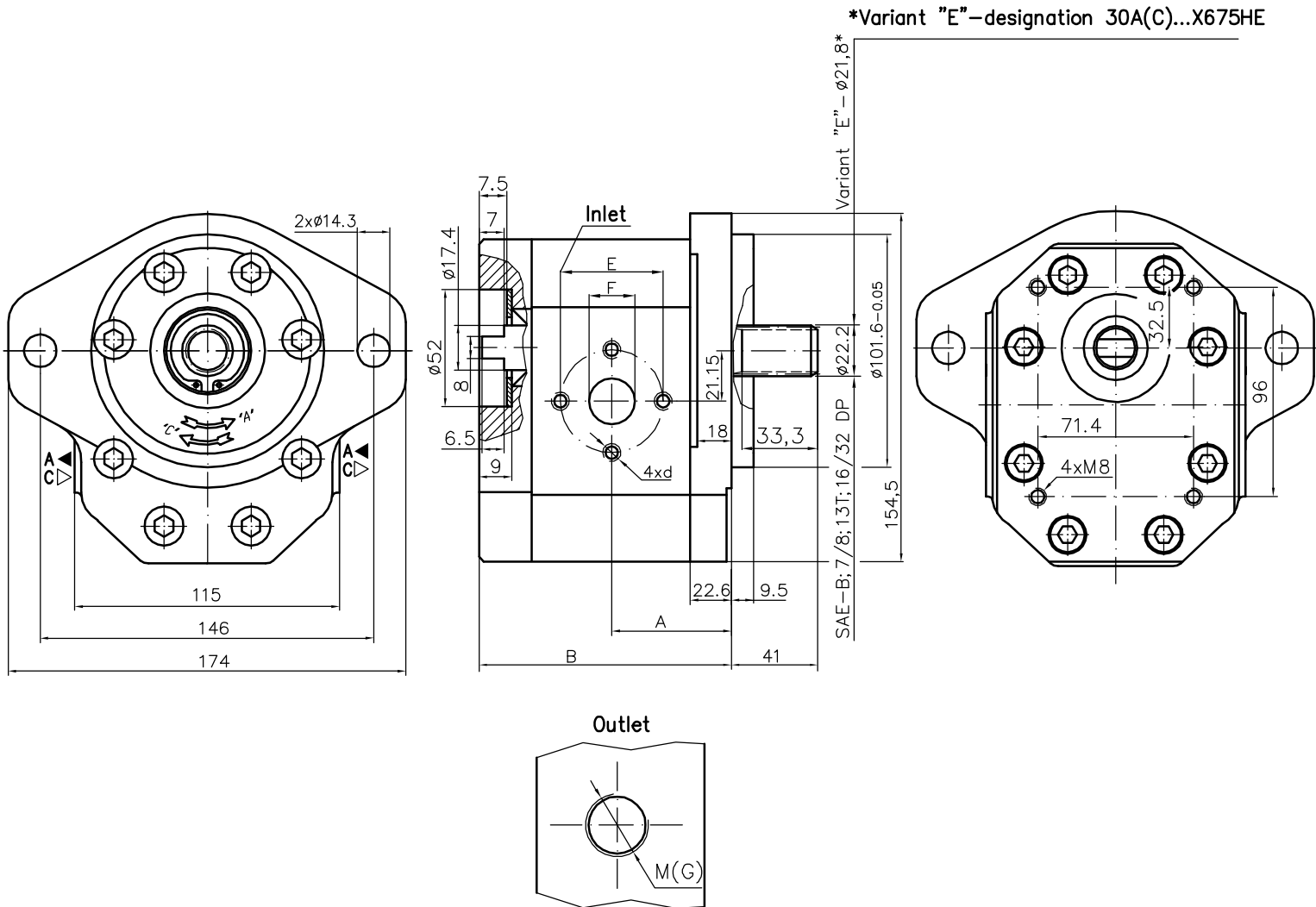


Type	Displacement cm ³ /rev	Flow		Pressure P _{nom} bar	max Speed n rpm	Dimension							
		at 1500 rpm l/min	at max rpm l/min			A mm	B mm	Inlet			Outlet		
								E	d	F	E	d	F
30A(C)20X623H	20	28,2	56,4	250	3000	56,1	114,7	40	M8	19	40	M8	19
30A(C)22,2X623H	22,5	31,7	63,5	250	3000	57,6	117,7						
30A(C)25X623H	25	35,3	70,5	250	3000	58,3	119,1						
30A(C)28X623H	28	39,5	79,0	250	3000	60,2	122,7						
30A(C)32X623H	32	45,1	90,2	250	3000	66,5	135,3						
30A(C)36X623H	36	51,3	95,8	250	2800	68,0	138,5	51	M10	27	40	M8	19
30A(C)42X623H	42	59,9	99,8	230	2500	70,8	144,0						
30A(C)46X623H	46	65,6	100,5	230	2300	72,7	147,8						
30A(C)50X623H	50	71,3	99,8	200	2100	74,5	151,4						
30A(C)55X623H	55	78,4	91,4	200	1750	76,7	155,9						
30A(C)60X623H	60	85,5	99,8	180	1750	78,7	160,4						



Type	Displacement cm ³ /rev	Flow		Pressure P _{nom} bar	max Speed n rpm	Dimension							
		at 1500 rpm l/min	at max rpm l/min			Inlet		Outlet					
						A mm	B mm	E mm	d mm	F mm	E mm	d mm	F mm
30A(C)20X624H	20	28,2	56,4	250	3000	56,1	116,7	48,12	5/16-18UNC-2B	22	48,12	5/16-18UNC-2B	20
30A(C)22,2X624H	22,5	31,7	63,5	250	3000	57,6	119,7						
30A(C)25X624H	25	35,3	70,5	250	3000	58,3	121,1						
30A(C)28X624H	28	39,5	79,0	250	3000	60,2	124,7						
30A(C)32X624	32	45,1	75,2	250	2500	62,0	128,3						
30A(C)32X624H	32	45,1	90,2	250	3000	66,5	137,3						
30A(C)36X624	36	50,8	84,6	250	2500	63,5	131,4						
30A(C)36X624H	36	51,3	95,8	250	2800	68,0	140,5						
30A(C)42X624	42	59,9	91,8	230	2300	66,3	137,0						
30A(C)42X624H	42	59,9	99,8	230	2500	70,8	146,1						
30A(C)46X624H	46	65,6	100,5	230	2300	72,7	149,8						
30A(C)50X624H	50	71,3	99,8	200	2100	74,5	153,4						
30A(C)55X624H	55	78,4	91,4	200	1750	76,7	157,9						
30A(C)60X624H	60	85,5	99,8	180	1750	78,7	162,4						

Designed as a first section of multiple gear pumps group 32.
Usually connected with second section pumps type 20A(C)...X201 and others with central diameter $\varnothing 52$.



Type	Displacement cm ³ /rev	Flow		Pressure P _{nom} bar	max Speed n rpm	Dimension						
		at 1500 rpm l/min	at max rpm l/min			A mm	B mm	Inlet			Outlet	
30A(C)20X675H	20	28,2	56,4	250	3000	56,1	114,7	40	M8	19	M27x1,5	G3/4"-A
30A(C)22,2X675H	22,5	31,7	63,5	250	3000	57,6	117,7					
30A(C)25X675H	25	35,3	70,5	250	3000	58,3	119,1					
30A(C)28X675H	28	39,5	79,0	250	3000	60,2	122,7					
30A(C)32X675	32	45,1	75,2	250	2500	62,0	126,3					
30A(C)32X675H	32	45,1	90,2	250	3000	66,5	135,3	51	M10	27		
30A(C)36X675	36	50,8	84,6	250	2500	63,5	129,4					
30A(C)36X675H	36	51,3	95,8	250	2800	68,0	138,5					
30A(C)42X675	42	59,9	91,8	230	2300	66,3	135,0					
30A(C)42X675H	42	59,9	99,8	230	2500	70,8	144,0					
30A(C)46X675H	46	65,6	100,5	230	2300	72,7	147,8					
30A(C)50X675H	50	71,3	99,8	200	2100	74,5	151,4					
30A(C)55X675H	55	78,4	91,4	200	1750	76,7	155,9					
30A(C)60X675H	60	85,5	99,8	180	1750	78,7	160,4					